

FEATURES

- ※ Right angle (SMT type)
- ※ Support terminal available
- ※ Reflow solderable

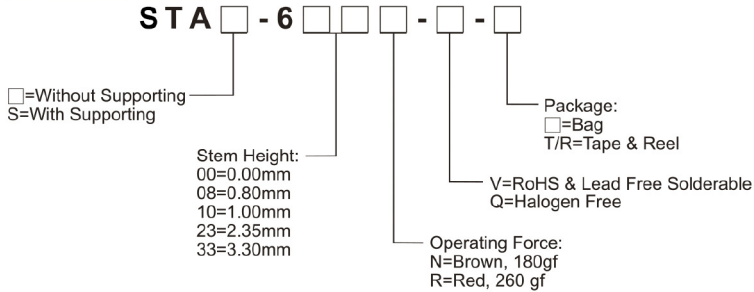
APPLICATION

- ※ Audio, OA equipment
- ※ Instrumentation
- ※ Hair dryers

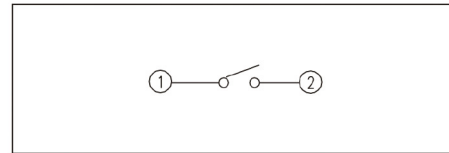
SPECIFICATION

Contact Rating	50mA, 12V DC
Contact Resistance	100mΩ max.
Insulation Resistance	100MΩ min. 500V DC
Dielectric Strength	250V AC/1 minute
Operating Force	180±50gf, Brown(N) 260±70gf, Red(R)
Travel	0.45mm
Operating Life	500, 000 cycles
Operating Temp.	-25°C ~ +70°C
Storage Temp.	-30°C ~ +80°C

HOW TO ORDER



CIRCUIT

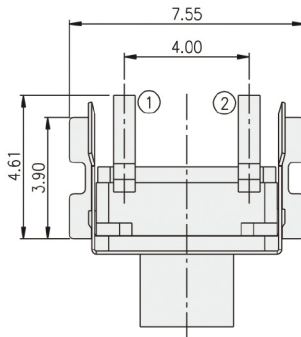


PACKAGE

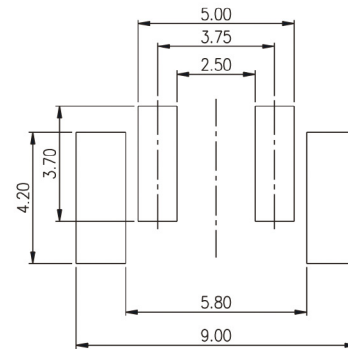
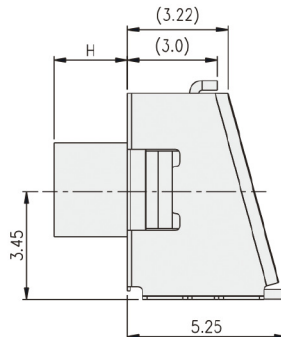
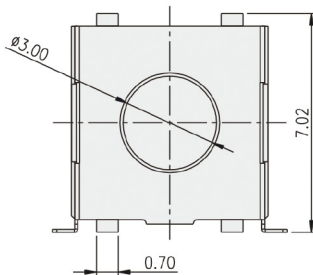
<Bag>
 500 pcs
<Tape & Reel>
 STA(S)-600 / 608 / 610 / 623: 700 pcs
 STA(S)-633: 500 pcs

TACT SWITCH

STA-6



PART NO.	H
STA-600	0
STA-608	0.80
STA-610	1.00
STA-623	2.35
STA-633	3.30



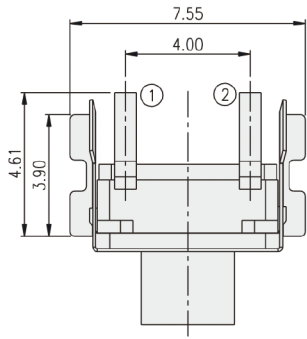
P.C.B. LAYOUT

TACT SWITCH
STA-6 SERIES

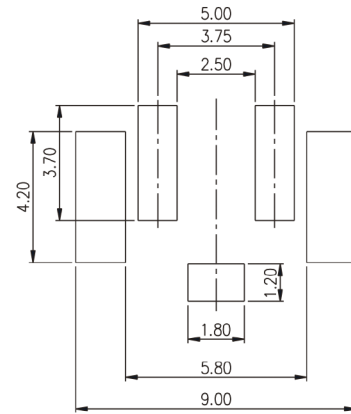
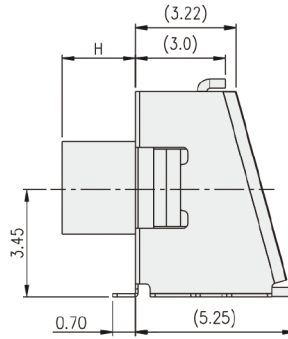
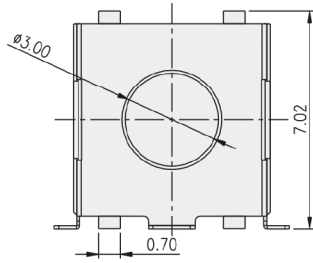
6x6 SMT & Right Angle Type
 Soft Stem



STAS-6



PART NO.	H
STAS-600	0
STAS-608	0.80
STAS-610	1.00
STAS-623	2.35
STAS-633	3.30



P.C.B. LAYOUT

TACT SWITCH