

FEATURES

- ※ Side actuated
- ※ Support/Ground pin option
- ※ High solder strength

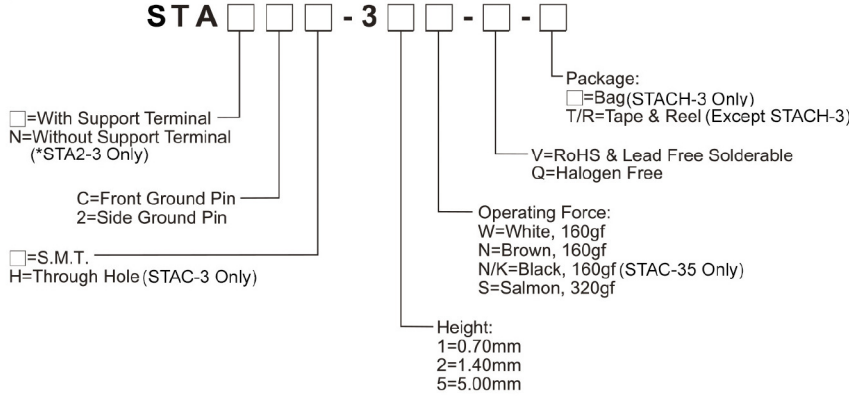
APPLICATION

- ※ Data storage, Server
- ※ Instrumentation
- ※ Audio, OA equipment

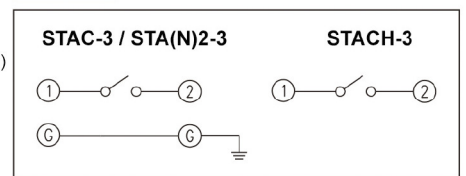
SPECIFICATION

Contact Rating	50mA, 12V DC	
Contact Resistance	100mΩ max.	
Insulation Resistance	100MΩ min. 500V DC	
Dielectric Strength	250V AC/1 minute	
Operating Force	160±50gf, 260±50gf	STAC-3
	160±50gf, White(W)	STA2-3
	160±50gf, Brown(N) 320±50gf, Salmon(S)	
Travel	0.25mm	
Operating Life	50,000 cycles	
Operating Temp.	-25°C ~ +70°C	
Storage Temp.	-40°C ~ +80°C	

HOW TO ORDER



CIRCUIT

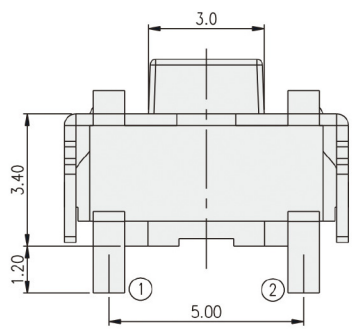
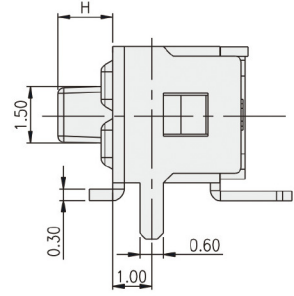
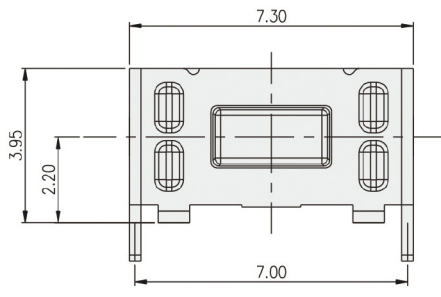


PACKAGE

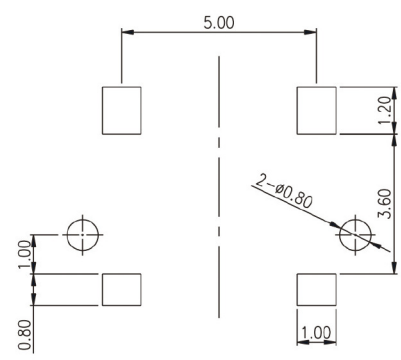
- <Bag>
500 pcs (STACH-3 Only)
- <Tape & Reel>
900 pcs

TACT SWITCH

STAC-3

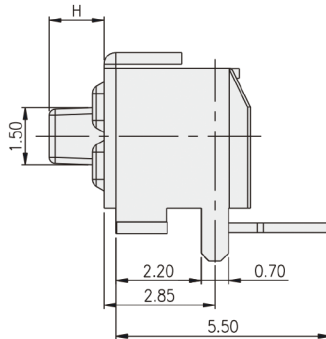
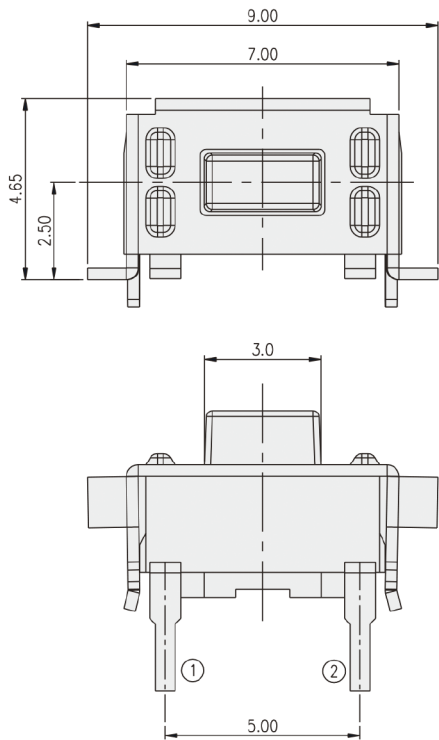


PART NO.	H
STAC-31	0.70
STAC-32	1.40
STAC-35	5.00

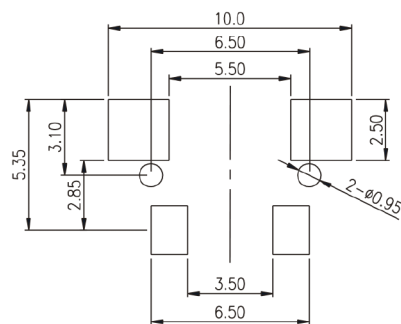


P.C.B. LAYOUT

STA2-3



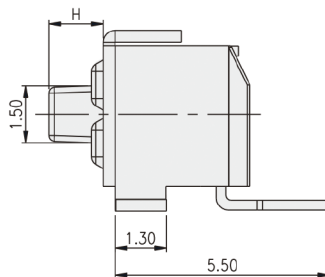
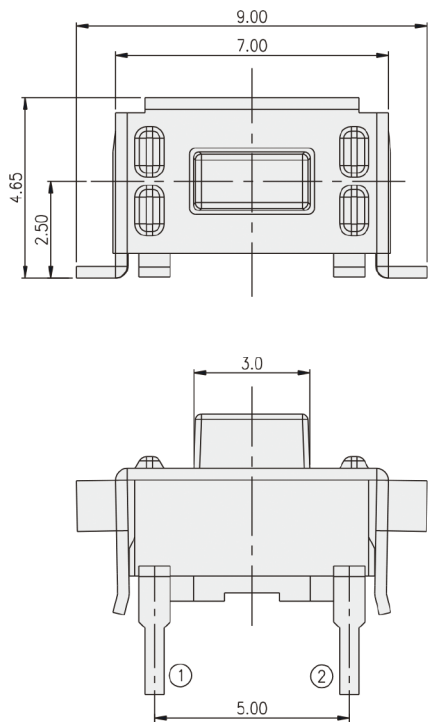
PART NO.	H
STA2-31	0.70
STA2-32	1.40
STA2-35	5.00



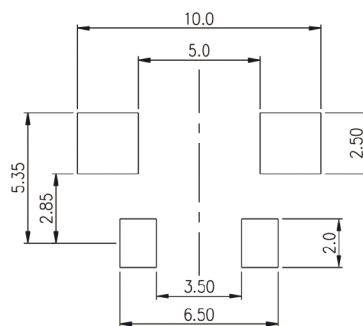
P.C.B. LAYOUT

TACT SWITCH

STAN2-3

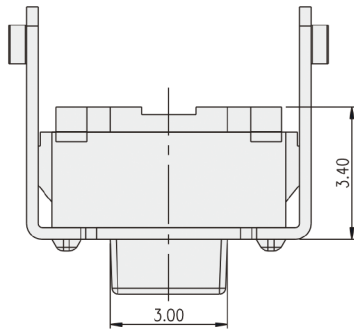


PART NO.	H
STAN2-31	0.70
STAN2-32	1.40
STAN2-35	5.00

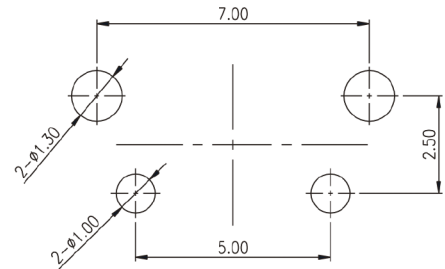
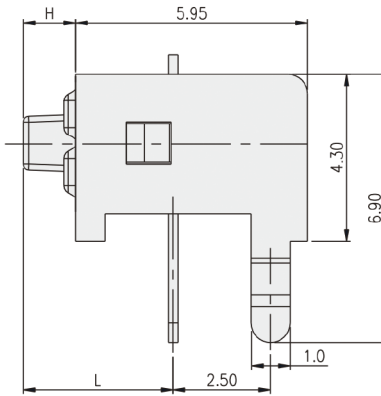
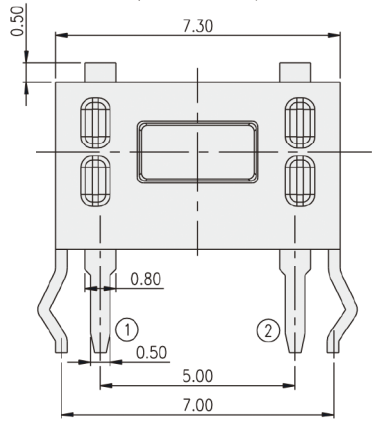


P.C.B. LAYOUT

STACH-3



PART NO.	H	L
STACH-31	0.70	3.15
STACH-32	1.40	3.85
STACH-35	5.00	7.45



P.C.B. LAYOUT

TACT SWITCH