

**FEATURES**

- ※High reliable metal contacts
- ※Reflow solderable
- ※Cap options

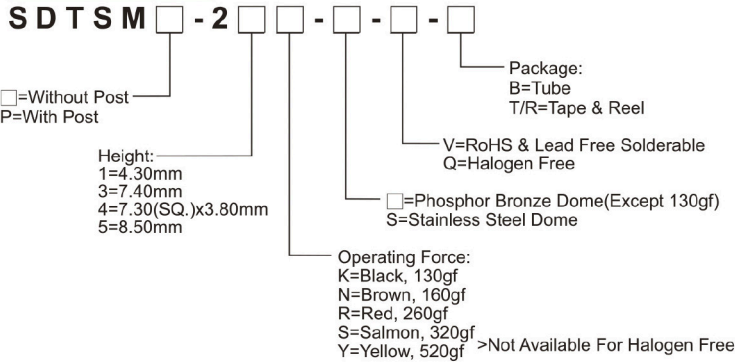
**APPLICATION**

- ※Audio, OA equipment
- ※Instrumentation
- ※Industrial

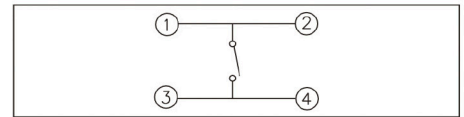
**SPECIFICATION**

Contact Rating	50mA, 12V DC
Contact Resistance	100mΩ max.
Insulation Resistance	100MΩ min. 500V DC
Dielectric Strength	250V AC/1 minute
Operating Force	130±50gf, Black(K) 160±50gf, Brown(N) 260±50gf, Red(R) 320±80gf, Salmon(S) 520±130gf, Yellow(Y)
Travel	0.35mm
Operating Life	Phosphor Bronze Dome 100,000 cycles for 520/320/260gf 200,000 cycles for 160gf Stainless Steel Dome 300,000 cycles for 520/320gf 500,000 cycles for 260gf 1,000,000 cycles for 160gf 10,000,000 cycles for 130gf
Operating Temp.	-25°C ~ +70°C
Storage Temp.	-30°C ~ +80°C

**HOW TO ORDER**



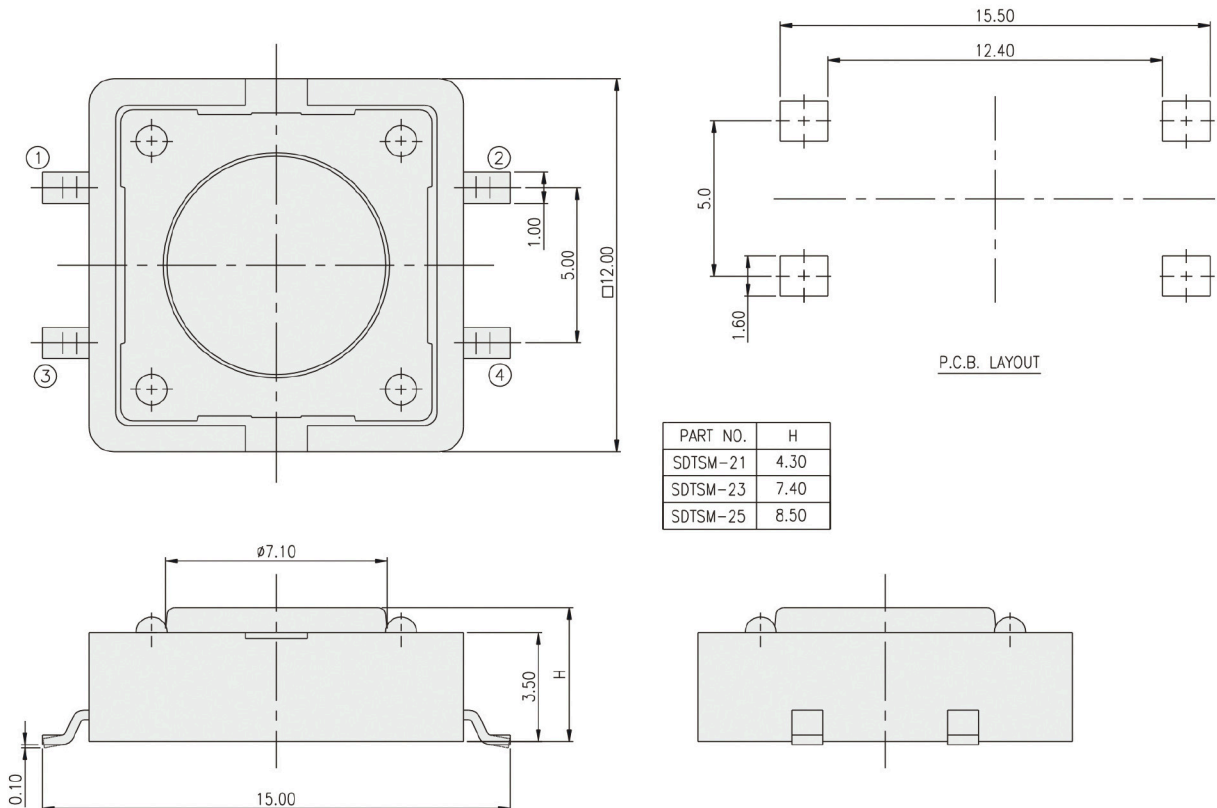
**CIRCUIT**



**PACKAGE**

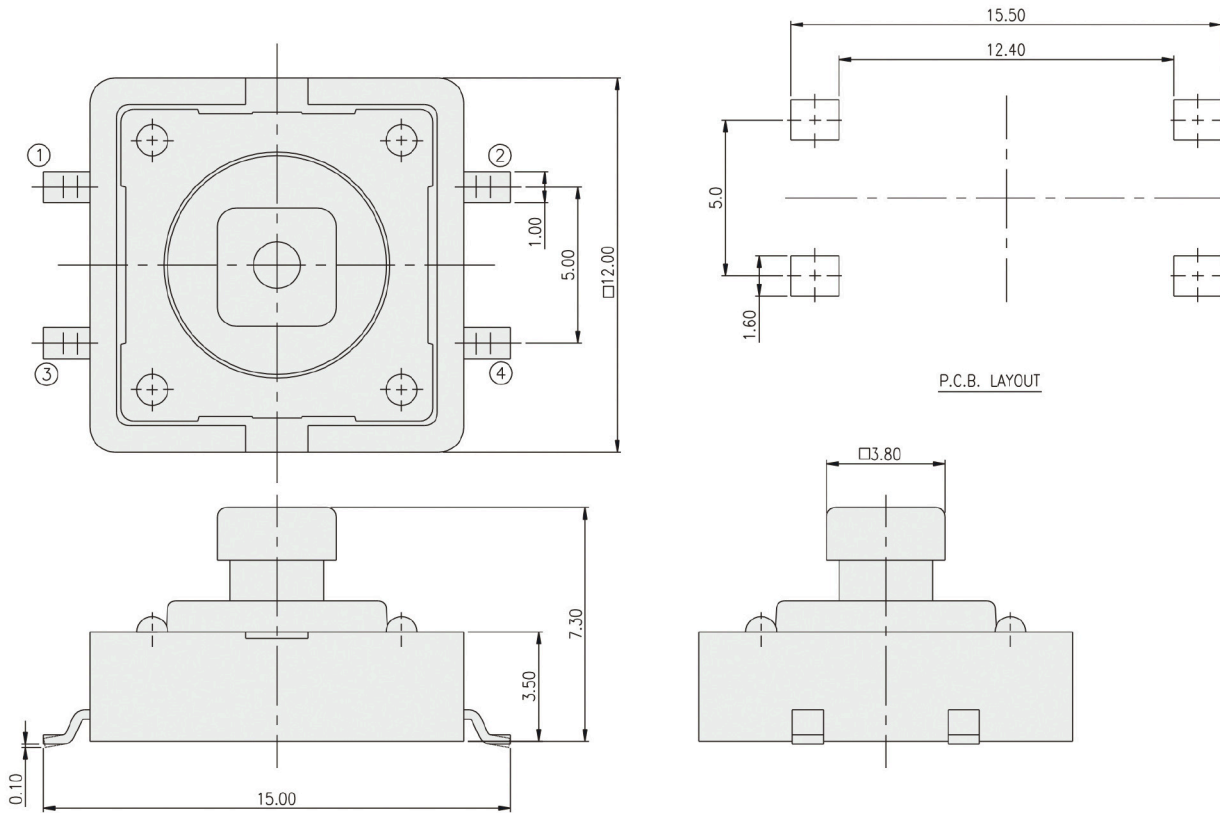
- <Tube>  
SDTSM-2: 40 pcs      <Bag>  
SDTSM-21: 500 pcs
- <Tape & Reel>  
SDTSM-21: 700 pcs  
SDTSM(P)-23, 24: 500 pcs  
SDTSM(P)-25: 400 pcs

**SDTSM-2**



TACT SWITCH

SDTSM-24



TACT SWITCH

SDTSM-2

