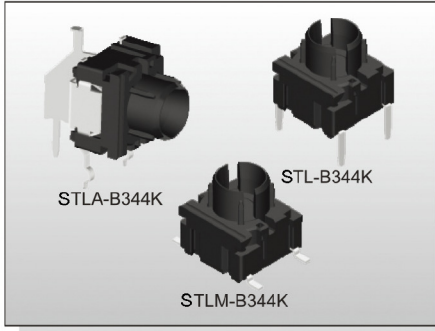


TACT SWITCH
STL()-B344 SERIES

10x10
High Reliability



2018



FEATURES

- ※ Sealed
- ※ Long life of 10million
- ※ Variety of actuator lengths

APPLICATION

- ※ Music instrument
- ※ Intercom system
- ※ Industrial

SPECIFICATION

Contact Rating	0.5~50mA, 24V DC
Contact Resistance	30mΩ max.
Insulation Resistance	10MΩ min. 100V DC
Dielectric Strength	250V AC/1 minute
Operating Force	300±75gf
Travel	1mm
Operating Life	10,000, 000 cycles
Operating Temp.	-40°C ~ +160°C
Storage Temp.	-40°C ~ +160°C

HOW TO ORDER

STL □ - B 3 4 4 K - Q - □

□=Through Hole
M=S.M.T.
A=Right Angle

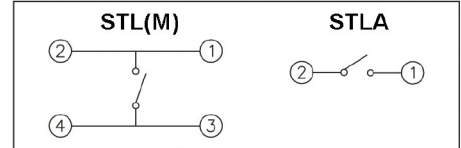
Package:
B=Tube
(For Through Hole Type)
T/R=Tape & Reel(For S.M.T. Type)

Halogen Free

Button Color:
Black

Operating Force:
300gf

CIRCUIT

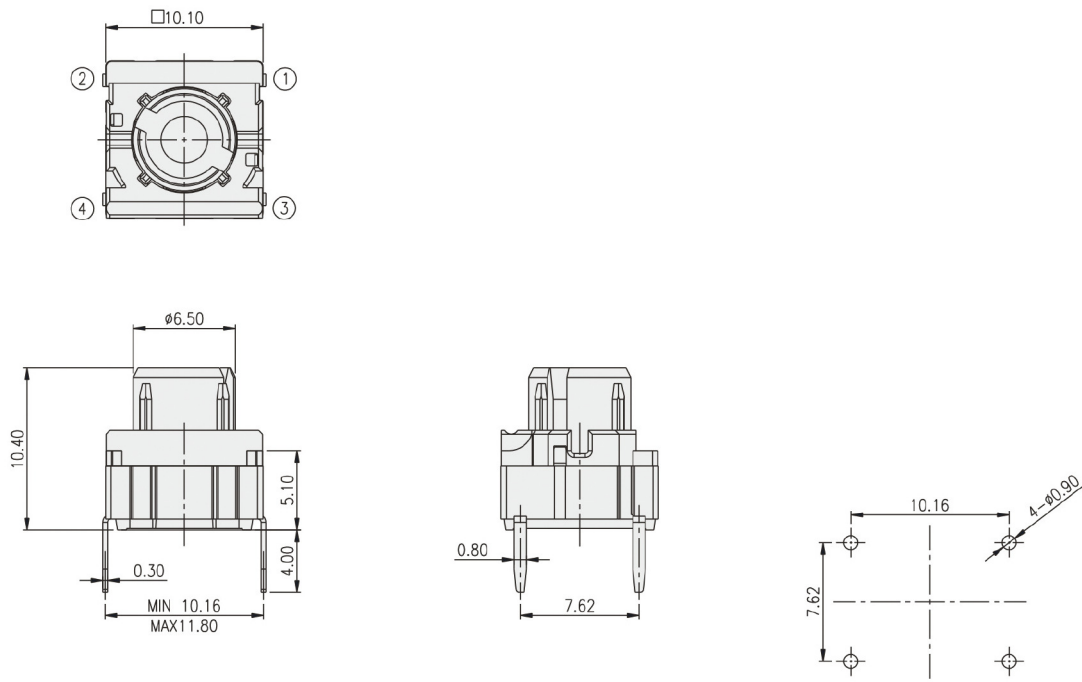


PACKAGE

<Tube>
STL(A): 45 pcs
<Tape & Reel>
STLM: 300 pcs

TACT SWITCH

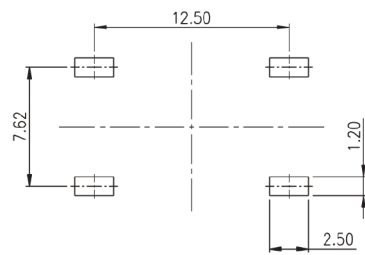
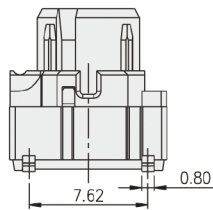
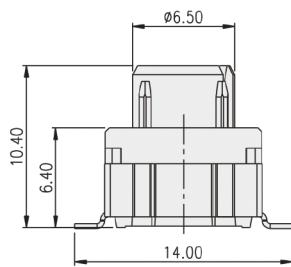
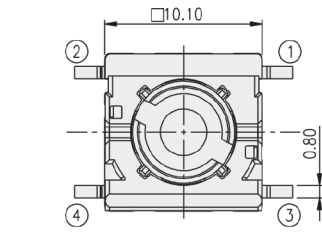
STL-B344K



P.C.B. LAYOUT



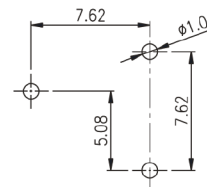
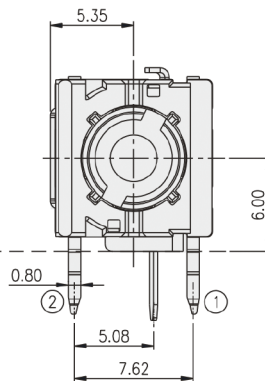
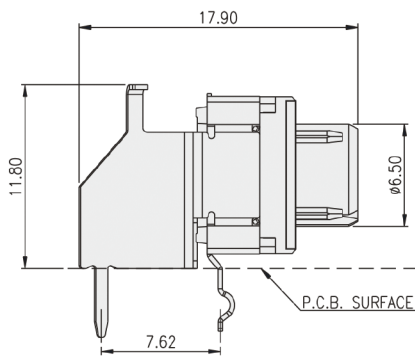
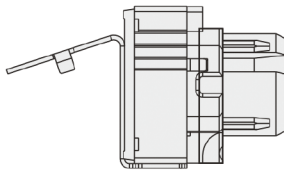
STLM-B344K



P.C.B. LAYOUT

TACT SWITCH

STLA-B344K



P.C.B. LAYOUT