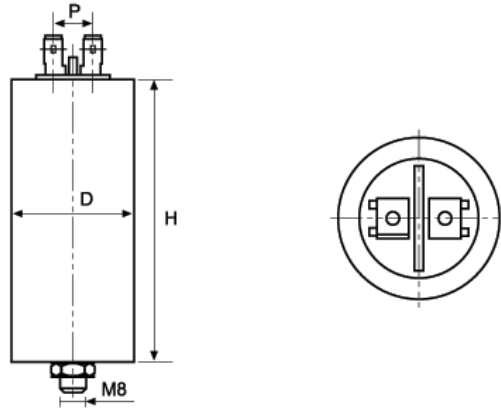


高压、高脉冲电流吸收电容器(插片式) Snubber capacitor for high voltage, high current pulses (Tabs type)

■ 外形图 Outline Drawing



■ 特点

- 损耗小, 内部温升小
- 等效串联电阻小, 自感小, 能承受较大的纹波电流
- 有自愈特性
- 阻燃塑料料外壳封装, 阻燃树脂填充

■ 应用

- 高纹波电流直流滤波应用
- 高压脉冲, 高频应用

■ Features

- Low loss and small inherent temperature rise
- Low ESR, Low ESL, can withstanding high r.m.s current
- Self-healing property
- Inflaming plastic case, Epoxy resin sealing

■ Applications:

- High ripple current D.C. filtering
- For high pulse and high frequency application

■ 技术要求 Specifications

引用标准 Reference Standard	IEC 61071
气候类别 Climatic Category	40/85/56
工作温度范围(外壳) Operating Temperature Range(case)	-40°C~85°C
电容量偏差 Capacitance Tolerance	J(± 5%), K(± 10%), M(± 20%)
耐电压(两极间) Test voltage between terminals(U_{T-T})	1.5 U_N (10s)
耐电压(极壳间) Test voltage between case and terminals(U_{T-T})	3 000VAC@ 50Hz for 60s
损耗角正切 Dissipation Factor	≤ 0.0005 (1kHz, 20°C)
绝缘电阻 Insulation Resistance	10 000s (20°C, 100V, 1min)
电极端子 Terminals	AMP plugs 6.3 x 0.8
最大扭矩 Max tightening torque	3Nm
安装形式 Mousing	M8 stud mounting(螺栓 M8)
平均寿命 Life expectancy	≥ 100 000hours ($U \leq U_N$, $T \leq 85^\circ\text{C}$)

