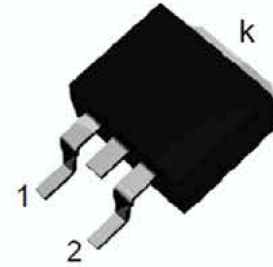


Features

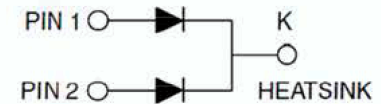
- FRED (Planar) wafer construction
- Ultrafast recovery time
- Low forward voltage drop, low power losses
- High efficiency operation
- Plastic package has underwriters Laboratory Flammability Classification 94V-0



Package: TO-263

Mechanical Data

- Case: Epoxy, Molded
- Weight: 1.4grams (approximately)
- Finish: All External Surfaces Corrosion Resistant and Terminal Leads are Readily Solderable
- Lead Temperature for Soldering Purposes: 260°C Max. for 10 sec
- Shipped 50 units per plastic tube or tape reel packing 800/reel



Maximum Ratings & Electrical Characteristics

($T_A=25^\circ\text{C}$ unless otherwise noted)

PARAMETER	TEST CONDITIONS		SYMBOL	MURB1080CT	UNIT
Maximum repetitive peak reverse voltage			V_{RRM}	800	V
Working peak reverse voltage			V_{RWM}	800	V
Maximum DC blocking voltage			V_{DC}	800	V
Maximum average forward rectified current at $T_c=105^\circ\text{C}$ total device per diode			$I_F(AV)$	10 5	A
Peak forward surge current 8.3ms single half sine-wave superimposed on rated load per diode			I_{FSM}	125	A
Voltage rate of change(rated V_R)			DV/dt	10000	V/us
Operating junction temperature range			T_J	-55 to+150	$^\circ\text{C}$
Storage temperature range			T_{STG}	-55 to+150	$^\circ\text{C}$
Maximum Reverse Recover Time ($I_F=0.5\text{Amp}$, $I_R=1.0\text{Amp}$, $I_{rec}=0.25\text{Amp}$)	T_{rr}		T_{rr}	75	ns
Maximum instantaneous forward voltage per leg	$I_F=5\text{A}$ $I_F=5\text{A}$	$T_C=25^\circ\text{C}$ $T_C=125^\circ\text{C}$	V_F	1.70 1.60	V
Maximum reverse current per leg at working peak Reverse voltage		$T_J=25^\circ\text{C}$ $T_J=100^\circ\text{C}$	I_R	10 500	μA μA
Thermal Characteristics $T_A=25^\circ\text{C}$ unless otherwise noted					
Symbol	Parameter		TYP. (TO-263)		Unit
$R_{\theta JC}$	Thermal Resistance, Junction to Case per Leg		2.0		$^\circ\text{C}/\text{W}$
$R_{\theta JA}$	Thermal Resistance, Junction to Ambient per Leg		62.5		$^\circ\text{C}/\text{W}$

Note: Pulse test:300us pulse width, duty cycle=2%

Ratings and Characteristics Curves

($T_A = 25^\circ\text{C}$ unless otherwise noted)

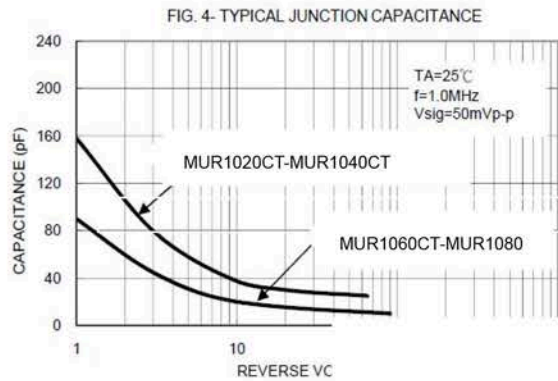
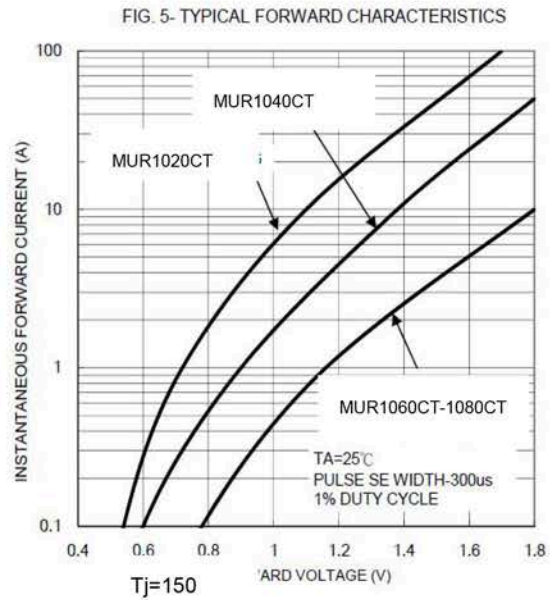
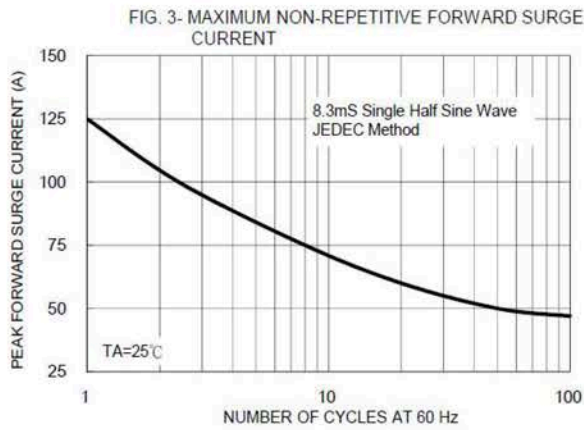
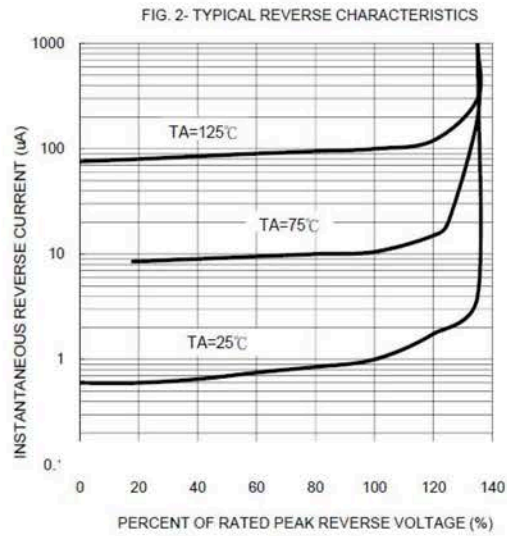
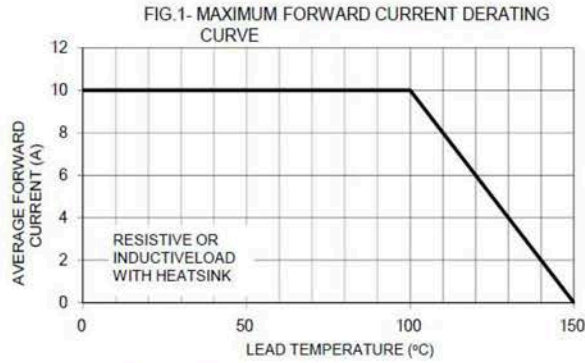
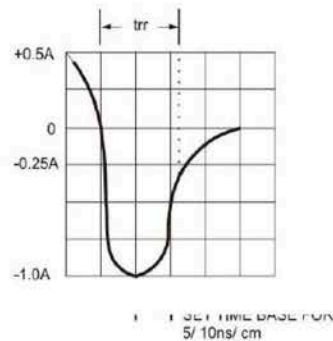
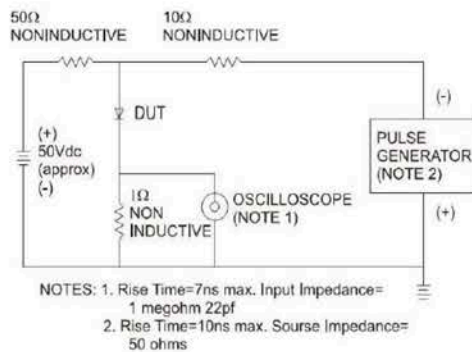


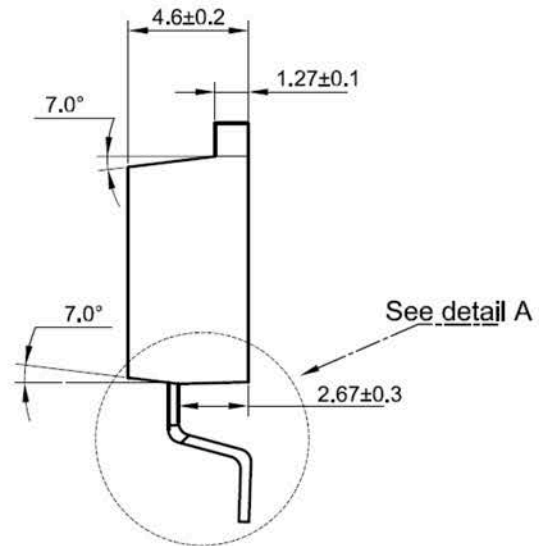
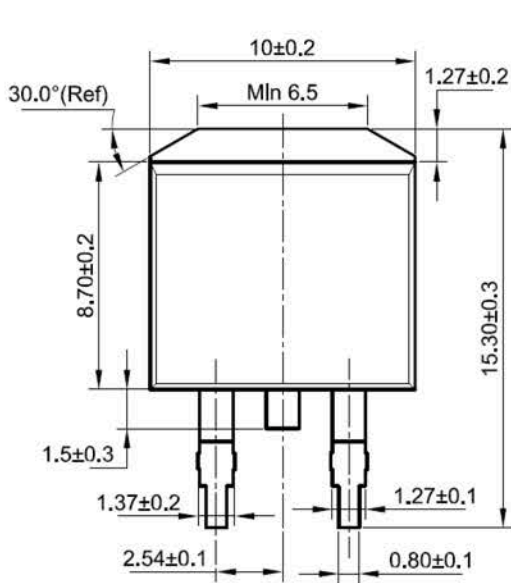
FIG.6- REVERSE RECOVERY TIME CHARACTERISTIC AND TEST CIRCUIT DIAGRAM



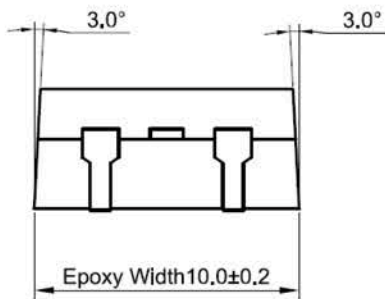
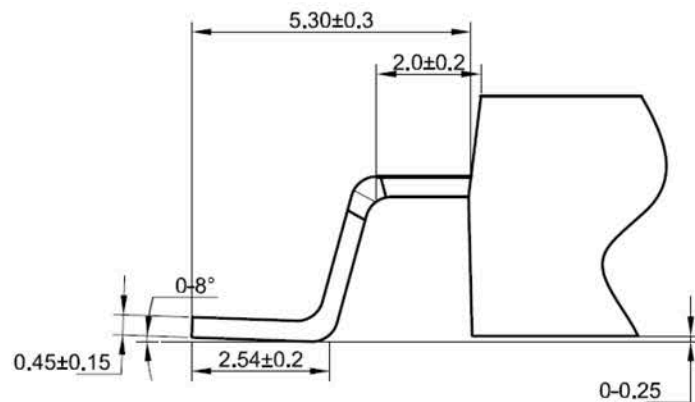
Package Outline Dimensions

Unit: millimeters

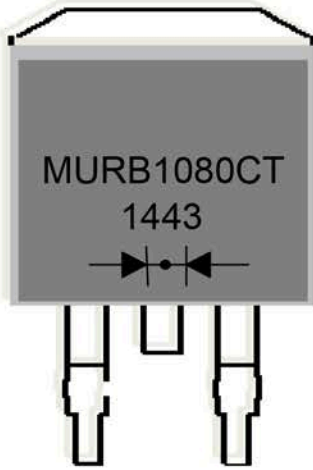
TO-263



Detail A



Marking Outline



1. Part Name : MURB1080CT
2. Logo Mark:
3. Date Code YYWW YY:14,WW:43
4. Polarity: 