



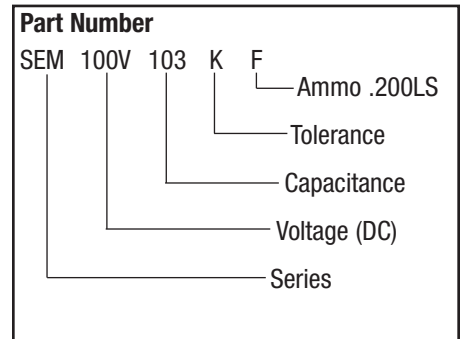
**EPOXY COATED, INDUCTIVE, FILM CAPACITORS, RADIAL LEADS**

**FEATURES**

- GOOD REPUTATION IN USE WITH CONSUMER & INDUSTRIAL ELECTRONICS
- OPTIMUM FOR AUTOMATIC INSERTION DUE TO THEIR SMALL SIZE AND LIGHT WEIGHT
- COATED WITH EPOXY RESIN FOR SUPERIOR HEAT RESISTANCE, HUMIDITY RESISTANCE AND SOLVENT RESISTANCE

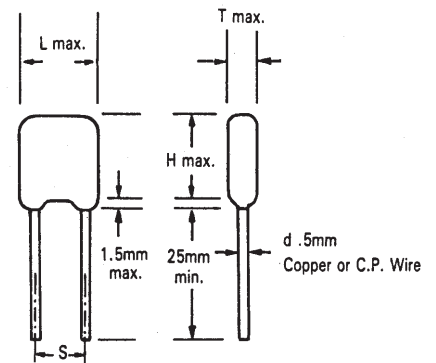
**SPECIFICATIONS**

<b>OPERATING TEMPERATURE RANGE</b>	-40°C to +85°C
<b>RATED VOLTAGE (DC)</b>	50V, 100V
<b>CAPACITANCE RANGE</b>	0.001 to 0.47 MFD
<b>CAPACITANCE TOLERANCE</b>	±20% (M), ±10% (K), ±5% (J)
<b>INSULATION RESISTANCE</b>	50,000 Megohm min.
<b>DISSIPATION FACTOR</b>	≤ 0.0075 (at 1 KHZ)
<b>DIELECTRIC STRENGTH</b>	250% of rated voltage for 5 seconds



**STANDARD PRODUCTS AND CASE SIZE TABLE (UNIT: MM)**

VDC MFD	50 & 100 VOLTS DC			
	L	T	H	S
0.001	6.0	3.5	9.5	3.5
0.0012	6.0	3.5	9.95	3.5
0.0015	6.0	3.5	9.5	3.5
0.0018	6.0	3.5	9.5	3.5
0.0022	6.0	3.5	9.5	3.5
0.0033	6.0	3.5	9.5	3.5
0.0039	6.0	3.5	9.5	3.5
0.0047	6.0	4.0	9.5	4.0
0.0056	6.0	4.0	9.5	4.0
0.0068	6.0	4.0	9.5	4.0
0.0082	6.5	4.0	9.5	4.0
0.01	6.5	4.0	9.5	4.0
0.012	6.5	4.0	9.5	4.0
0.015	7.5	4.5	10.0	4.5
0.018	7.5	4.5	10.0	4.5
0.022	8.0	4.5	10.0	5.0
0.027	8.0	4.5	11.0	5.0
0.033	8.5	4.5	11.0	5.0
0.039	8.5	5.0	11.0	5.0
0.047	9.0	5.0	11.5	5.0
0.056	9.0	6.0	11.5	5.0
0.068	9.5	6.0	12.0	6.0
0.082	10.0	6.0	12.0	7.0
0.1	11.0	7.0	12.0	7.0
0.12	11.0	7.0	12.0	7.0
0.12	11.0	7.0	13.0	7.0
0.15	12.5	7.0	14.0	7.5
0.18	12.5	7.0	14.0	7.5
0.22	13.5	8.0	14.0	9.0



S ± 1.0mm for Lead spacing ≤ 6mm.  
S ± 1.5mm for Lead spacing > 6mm.