

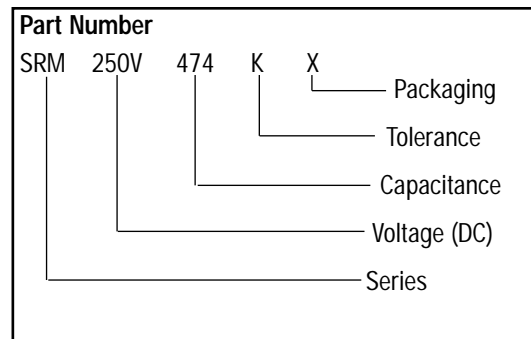
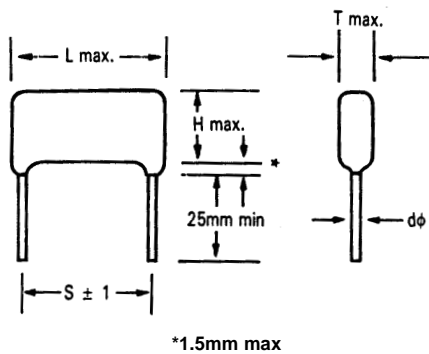
EPOXY COATED, NON-INDUCTIVE, METALLIZED FILM CAPACITORS, RADIAL LEAD

FEATURES

- VERY SMALL SIZE, HIGHLY RELIABLE BECAUSE OF ITS SELF-HEALING PERFORMANCE
- COATED WITH EOPXY RESIN FOR SUPERIOR HEAT RESISTANCE, HUMIDITY RESISTANCE AND SOLVENT RESISTANCE
- RECOMMENDED FOR USE WITH FILTERING, DC BLOCKING, AND COUPLING COMMUNICATIONS EQUIPMENT.

SPECIFICATIONS

| | |
|-----------------------------|---|
| OPERATING TEMPERATURE RANGE | -55°C to +125°C with voltage derating of 1.25% per degree C |
| RATED VOLTAGE (DC) | 250V, 400V, 630V |
| CAPACITANCE RANGE | 0.01 to 4.7 MFD |
| CAPACITANCE TOLERANCE | ±10% (K), ±5% (J) |
| INSULATION RESISTANCE | C < 0.33 MFD. R ≥ 15,000 MEGOHM |
| | C ≥ 0.33 MFD. RC ≥ 5,000 MEGOHM X MFD |
| DISSIPATION FACTOR | ≤ 0.007 (at 1 KHz, 25°C) |
| DIELECTRIC STRENGTH | 150% of rated voltage for 5 seconds |



STANDARD PRODUCTS AND CASE SIZE TABLE (UNIT: mm)

| VDC | 250 VDC/160 VAC | | | | | 400 VDC/200 VAC | | | | | 630 VDC/220 VAC | | | | |
|-------|-----------------|------|------|------|-----|-----------------|------|------|------|------|-----------------|------|------|------|-----|
| | L | H | T | S | dø | L | H | T | S | dø | L | H | T | S | dø |
| 0.01 | | | | | | 13.0 | 9.0 | 4.5 | 10.0 | 0.6 | 13.0 | 11.5 | 6.5 | 10.0 | 0.6 |
| 0.015 | | | | | | 13.0 | 9.5 | 4.5 | 10.0 | 0.6 | 13.0 | 11.5 | 6.5 | 10.0 | 0.6 |
| 0.022 | | | | | | 13.0 | 10.0 | 5.0 | 10.0 | 0.6 | 13.0 | 11.5 | 6.5 | 10.0 | 0.6 |
| 0.033 | 13.0 | 10.0 | 5.5 | 10.0 | 0.6 | 13.0 | 10.5 | 5.5 | 10.0 | 0.6 | 18.0 | 11.5 | 6.5 | 15.0 | 0.7 |
| 0.047 | 13.0 | 10.0 | 5.5 | 10.0 | 0.6 | 14.0 | 13.5 | 6.5 | 10.0 | 0.7 | 18.0 | 12.5 | 6.5 | 15.0 | 0.7 |
| 0.068 | 13.0 | 10.0 | 5.5 | 10.0 | 0.6 | 16.0 | 14.0 | 6.5 | 15.0 | 0.7 | 18.0 | 13.0 | 7.5 | 15.0 | 0.7 |
| 0.1 | 13.0 | 11.5 | 6.5 | 10.0 | 0.6 | 16.0 | 14.0 | 8.0 | 15.0 | 0.87 | 18.0 | 14.5 | 8.5 | 15.0 | 0.7 |
| 0.15 | 13.0 | 11.5 | 6.5 | 10.0 | 0.6 | 18.0 | 14.5 | 8.0 | 15.0 | 0.7 | 26.0 | 14.5 | 8.5 | 22.5 | 0.8 |
| 0.22 | 14.0 | 12.0 | 6.5 | 10.0 | 0.6 | 26.0 | 15.0 | 8.0 | 22.5 | 0.8 | 26.0 | 16.5 | 10.0 | 22.5 | 0.8 |
| 0.33 | 18.0 | 12.5 | 6.5 | 15.0 | 0.7 | 26.0 | 15.0 | 8.0 | 22.5 | 0.8 | 31.5 | 17.5 | 11.0 | 27.5 | 0.8 |
| 0.47 | 19.0 | 14.0 | 8.5 | 15.0 | 0.7 | 26.0 | 17.0 | 9.95 | 22.5 | 0.8 | 31.5 | 19.5 | 12.0 | 27.5 | 0.8 |
| 0.68 | 19.0 | 15.0 | 8.5 | 15.0 | 0.7 | 31.5 | 18.0 | 10.5 | 27.5 | 0.8 | | | | | |
| 1.0 | 26.0 | 16.0 | 9.0 | 22.5 | 0.8 | 31.5 | 20.0 | 12.0 | 27.5 | 0.8 | | | | | |
| 1.5 | 31.5 | 17.0 | 10.0 | 27.5 | 0.8 | | | | | | | | | | |
| 2.2 | 31.5 | 19.0 | 11.5 | 27.5 | 0.8 | | | | | | | | | | |
| 3.3 | 31.5 | 23.0 | 14.0 | 27.5 | 0.8 | | | | | | | | | | |
| 4.7 | 31.5 | 27.0 | 16.0 | 27.5 | 0.8 | | | | | | | | | | |

Special sizes & capacitance values are available upon request.