

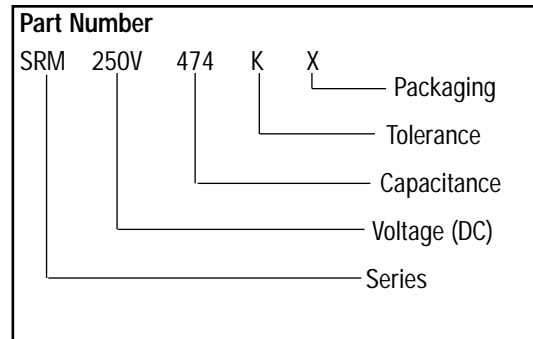
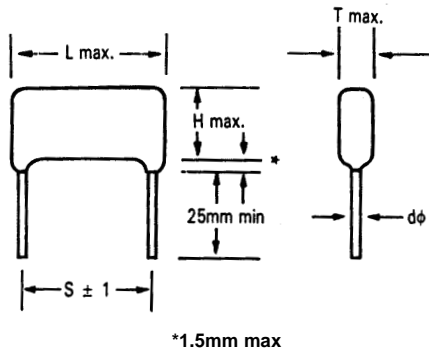
**EPOXY COATED, NON-INDUCTIVE, METALLIZED FILM CAPACITORS, RADIAL LEAD**

**FEATURES**

- VERY SMALL SIZE, HIGHLY RELIABLE BECAUSE OF ITS SELF-HEALING PERFORMANCE
- COATED WITH EOPXY RESIN FOR SUPERIOR HEAT RESISTANCE, HUMIDITY RESISTANCE AND SOLVENT RESISTANCE
- RECOMMENDED FOR USE WITH FILTERING, DC BLOCKING, AND COUPLING COMMUNICATIONS EQUIPMENT.

**SPECIFICATIONS**

|                             |   |
|-----------------------------|---|
| OPERATING TEMPERATURE RANGE | -55°C to +125°C with voltage derating of 1.25% per degree C |
| RATED VOLTAGE (DC)          | 250V, 400V, 630V  |
| CAPACITANCE RANGE           | 0.01 to 4.7 MFD   |
| CAPACITANCE TOLERANCE       | ±10% (K), ±5% (J)   |
| INSULATION RESISTANCE       | C < 0.33 MFD. R ≥ 15,000 MEGOHM                             |
|                             | C ≥ 0.33 MFD. RC ≥ 5,000 MEGOHM X MFD                       |
| DISSIPATION FACTOR          | ≤ 0.007 (at 1 KHz, 25°C)                                    |
| DIELECTRIC STRENGTH         | 150% of rated voltage for 5 seconds                         |



**STANDARD PRODUCTS AND CASE SIZE TABLE (UNIT: mm)**

| VDC   | 250 VDC/160 VAC |      |      |      |     | 400 VDC/200 VAC |      |      |      |      | 630 VDC/220 VAC |      |      |      |     |
|-------|-----------------|------|------|------|-----|-----------------|------|------|------|------|-----------------|------|------|------|-----|
|       | L               | H    | T    | S    | dø  | L               | H    | T    | S    | dø   | L               | H    | T    | S    | dø  |
| 0.01  |                 |      |      |      |     | 13.0            | 9.0  | 4.5  | 10.0 | 0.6  | 13.0            | 11.5 | 6.5  | 10.0 | 0.6 |
| 0.015 |                 |      |      |      |     | 13.0            | 9.5  | 4.5  | 10.0 | 0.6  | 13.0            | 11.5 | 6.5  | 10.0 | 0.6 |
| 0.022 |                 |      |      |      |     | 13.0            | 10.0 | 5.0  | 10.0 | 0.6  | 13.0            | 11.5 | 6.5  | 10.0 | 0.6 |
| 0.033 | 13.0            | 10.0 | 5.5  | 10.0 | 0.6 | 13.0            | 10.5 | 5.5  | 10.0 | 0.6  | 18.0            | 11.5 | 6.5  | 15.0 | 0.7 |
| 0.047 | 13.0            | 10.0 | 5.5  | 10.0 | 0.6 | 14.0            | 13.5 | 6.5  | 10.0 | 0.7  | 18.0            | 12.5 | 6.5  | 15.0 | 0.7 |
| 0.068 | 13.0            | 10.0 | 5.5  | 10.0 | 0.6 | 16.0            | 14.0 | 6.5  | 15.0 | 0.7  | 18.0            | 13.0 | 7.5  | 15.0 | 0.7 |
| 0.1   | 13.0            | 11.5 | 6.5  | 10.0 | 0.6 | 16.0            | 14.0 | 8.0  | 15.0 | 0.87 | 18.0            | 14.5 | 8.5  | 15.0 | 0.7 |
| 0.15  | 13.0            | 11.5 | 6.5  | 10.0 | 0.6 | 18.0            | 14.5 | 8.0  | 15.0 | 0.7  | 26.0            | 14.5 | 8.5  | 22.5 | 0.8 |
| 0.22  | 14.0            | 12.0 | 6.5  | 10.0 | 0.6 | 26.0            | 15.0 | 8.0  | 22.5 | 0.8  | 26.0            | 16.5 | 10.0 | 22.5 | 0.8 |
| 0.33  | 18.0            | 12.5 | 6.5  | 15.0 | 0.7 | 26.0            | 15.0 | 8.0  | 22.5 | 0.8  | 31.5            | 17.5 | 11.0 | 27.5 | 0.8 |
| 0.47  | 19.0            | 14.0 | 8.5  | 15.0 | 0.7 | 26.0            | 17.0 | 9.95 | 22.5 | 0.8  | 31.5            | 19.5 | 12.0 | 27.5 | 0.8 |
| 0.68  | 19.0            | 15.0 | 8.5  | 15.0 | 0.7 | 31.5            | 18.0 | 10.5 | 27.5 | 0.8  |                 |      |      |      |     |
| 1.0   | 26.0            | 16.0 | 9.0  | 22.5 | 0.8 | 31.5            | 20.0 | 12.0 | 27.5 | 0.8  |                 |      |      |      |     |
| 1.5   | 31.5            | 17.0 | 10.0 | 27.5 | 0.8 |                 |      |      |      |      |                 |      |      |      |     |
| 2.2   | 31.5            | 19.0 | 11.5 | 27.5 | 0.8 |                 |      |      |      |      |                 |      |      |      |     |
| 3.3   | 31.5            | 23.0 | 14.0 | 27.5 | 0.8 |                 |      |      |      |      |                 |      |      |      |     |
| 4.7   | 31.5            | 27.0 | 16.0 | 27.5 | 0.8 |                 |      |      |      |      |                 |      |      |      |     |

Special sizes & capacitance values are available upon request.