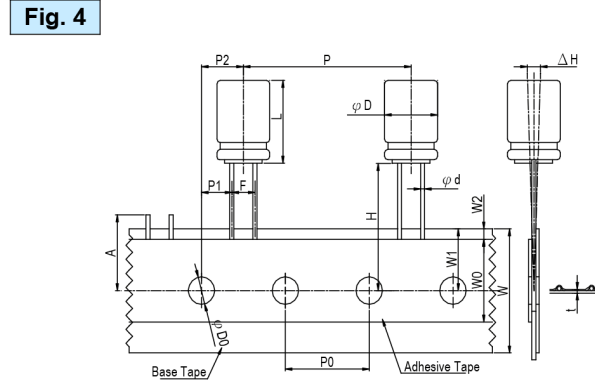
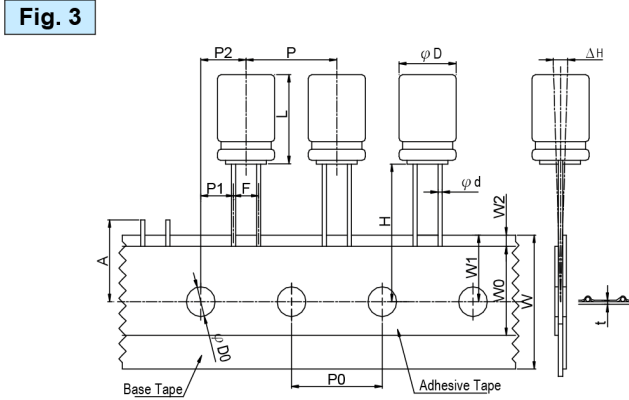
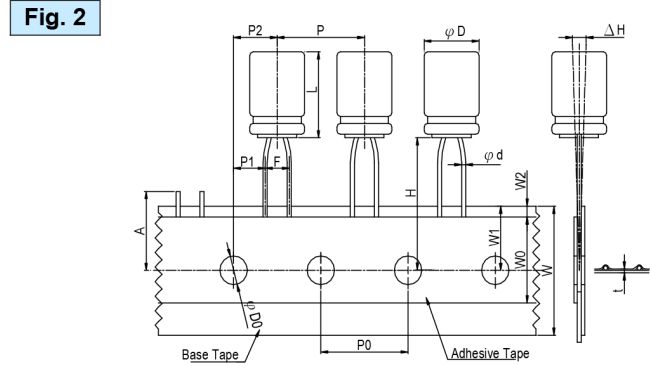
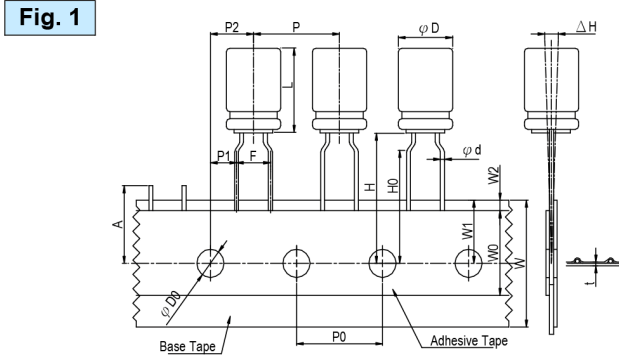


Taping Specifications for Radial Type



Unit: mm

Packing Symbol	TA*										SA								SP								
	5				7 ~ 9			≥ 11			5				≥ 7		7 ~ 9		11.5 ~ 20		9 ~ 25						
φ	3	4*	5	6.3	8	5	6.3	8*	5	6.3	8	3	4*	5	6.3	8	5	6.3	8	8	Tol.	10	12.5	12.5	Tol.		
φ d	0.4		0.45			0.5			0.5	0.6	0.4	0.45			0.45	0.45	0.5	0.5 / 0.6*	0.5 / 0.6*	0.6	±0.05	0.6	0.6	0.6	±0.05		
F		5.0					5.0				5.0	5.0	2.5		2.5	2.5	2.5	2.5	2.5	3.5	3.5	+0.8/-0.2		5.0	5.0	5.0	+0.8/-0.2
H		17.5					17.5				18.5	20.0	17.5		17.5	17.5	17.5	17.5	17.5	18.5	±0.75	18.5	18.5	18.5	±0.75		
H0		16.0					16.0				16.0		---		---	---	---	---	---	---	---	±0.5	---	---	---	---	
P		12.7					12.7				12.7		12.7		12.7				±1.0	12.7	25.4	15.0	±1.0				
P0		12.7					12.7				12.7		12.7		12.7				±0.2	12.7	12.7	15.0*	±0.2 / ±0.3(*)				
P1		3.85			3.85			3.85			3.85		5.1		5.1	5.1	5.1	5.1	4.6	4.6	±0.5	3.85	3.85	3.75	±0.7		
P2		6.35			6.35			6.35			6.35		6.35		6.35	6.35	6.35	6.35	6.35	±1.0	6.35	6.35	7.5	±1.3			
W		18.0					18.0				18.0		18.0		18.0				±0.5	18.0		±0.5					
W0		6.0			10.0			10.0		12.0	6.0		10.0		10.0		12.0		Min.		12.0		Min.				
W1		9.0			9.0			9.0			9.0		9.0		9.0				±0.5	9.0		±0.5					
W2		1.5			1.5			1.5			1.5		1.5		1.5				Max.	1.5		Max.					
A		11.0					11.0				11.0		11.0		11.0				Max.	11.0		Max.					
φ D0		4.0					4.0				4.0		4.0		4.0				±0.2	4.0		±0.2					
ΔH		0					0				0		0		0				±1.0	0		±1.0					
t		0.7			0.7			0.7			0.7		0.7		0.7				±0.2	0.7		±0.2					
Fig. No.		1					1				1		2		3	3	2	3	3	3		3	4	3			

Remark: 1. For OP-CAP, if you need parts with TA taping, please consult with us before placing order.

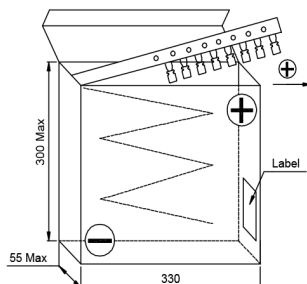
2. 4 φ in mark of "*" is 4 φ × 7L the same spec. "SA" packing: 5 ~ 6.3 φ × 11 ~ 15L in H is 18.5mm.

3. For 3 ~ 8 φ × 5L, W0 = 10.0mm is available.

4. φ d in mark with "*" as suitable for OP-CAP.

5. The "Tol." of "TA" is the same as "SA". Customized taping may be available upon request. Please consult with us.

Package

Fig. 5 Ammo pack box


Package Quantity

Unit: pcs/box

φ D(mm)	3	4	5	6.3	8	10	12.5
Quantity	3,000	2,000	2,000	2,000	1,000	500	300

Note: The component shall be oriented on the tape as such that the positive lead is leading or the negative lead is leading with customer's request.

All product specifications in the catalog are subject to change without notice. (CAT. 2017E1)