

**FEATURES**

- ※Side actuation
- ※Gold contact for high reliability
- ※Red, blue, and black color options.

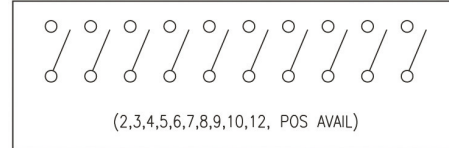
**APPLICATION**

- ※Industrial control
- ※Computers and peripherals
- ※Variety of function controls

**SPECIFICATION**

Contact Rating	25mA, 24V DC
Contact Resistance	50mΩ max.
Insulation Resistance	100MΩ min. 500V DC
Dielectric Strength	500V AC/1 minute
Operating Force	400gf max.
Travel	25°
Operating Life	2,000 cycles
Operating Temp.	-40°C ~ +85°C
Storage Temp.	-40°C ~ +85°C

**CIRCUIT**

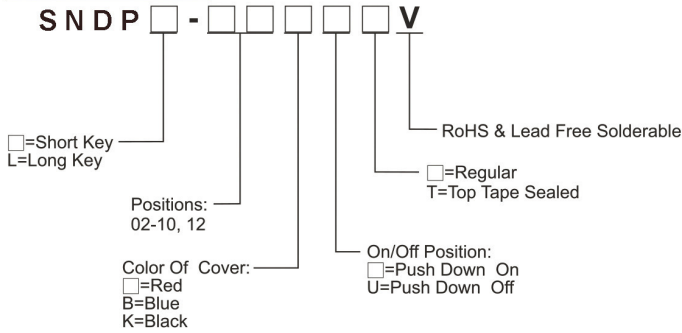


**PACKAGE**

**<Tube>**

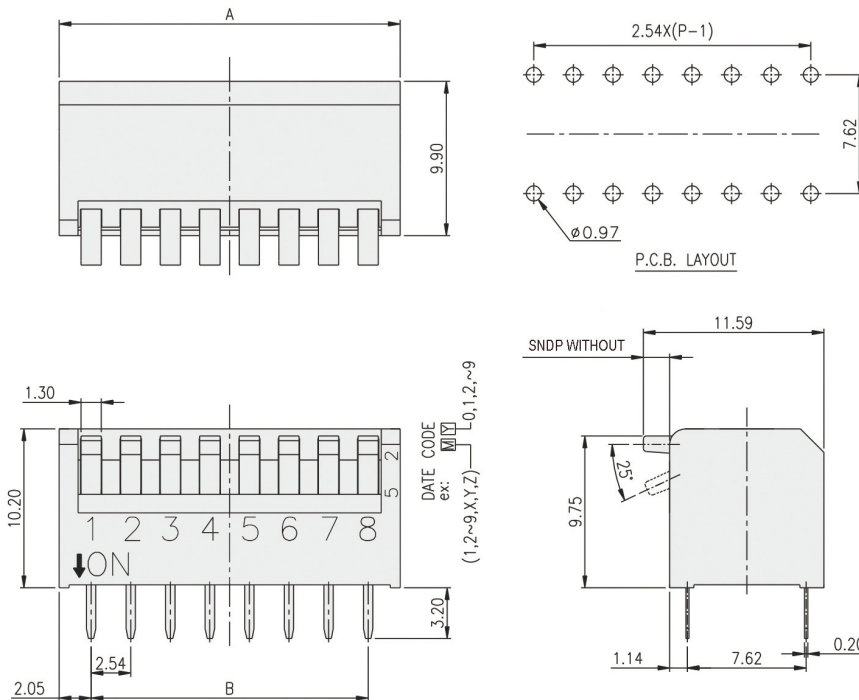
SNDP(L)-02: 70 pcs	SNDP(L)-02T: 65 pcs
SNDP(L)-03: 50 pcs	SNDP(L)-03T: 49 pcs
SNDP(L)-04: 39 pcs	SNDP(L)-04T: 39 pcs
SNDP(L)-05: 32 pcs	SNDP(L)-05T: 32 pcs
SNDP(L)-06: 27 pcs	SNDP(L)-06T: 27 pcs
SNDP(L)-07: 24 pcs	SNDP(L)-07T: 24 pcs
SNDP(L)-08: 21 pcs	SNDP(L)-08T: 21 pcs
SNDP(L)-09: 19 pcs	SNDP(L)-09T: 19 pcs
SNDP(L)-10: 17 pcs	SNDP(L)-10T: 17 pcs
SNDP(L)-12: 14 pcs	SNDP(L)-12T: 14 pcs

**HOW TO ORDER**



DIP SWITCH

**SNDP(L)**



PART NO.	NO.OF POS.	DIM.A	DIM.B
SNDP(L)-02	2	6.64	2.54
SNDP(L)-03	3	9.18	5.08
SNDP(L)-04	4	11.72	7.62
SNDP(L)-05	5	14.26	10.16
SNDP(L)-06	6	16.80	12.70
SNDP(L)-07	7	19.34	15.24
SNDP(L)-08	8	21.88	17.78
SNDP(L)-09	9	24.42	20.32
SNDP(L)-10	10	26.96	22.86
SNDP(L)-12	12	32.04	27.94