



**FEATURES**

- ※Long life cycles of 5 million
- ※Low profile with 0.60mm

**APPLICATION**

- ※Automotive
- ※Industrial equipment
- ※Portable electronic device

**SPECIFICATION**

Contact Rating	50mA, 12V DC
Contact Resistance	500mΩ max.
Insulation Resistance	10MΩ min. 100V DC
Dielectric Strength	100V AC/1 minute
Operating Force	100±50gf, 160±50gf, 200±50gf
Travel	0.25mm
Operating Life	5,000,000 cycles
Operating Temp.	-40°C ~ +85°C
Storage Temp.	-40°C ~ +90°C

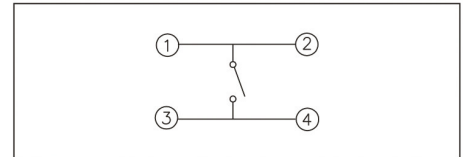
**HOW TO ORDER**

ST7B □ QR

Operating Force:  
1=100gf  
2=160gf  
3=200gf

Package:  
Reel  
Halogen Free

**CIRCUIT**

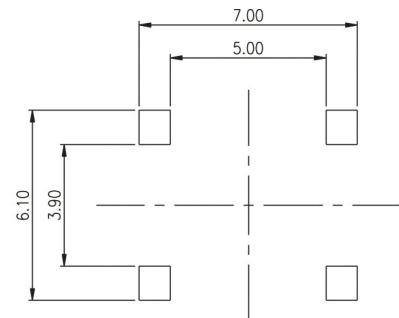
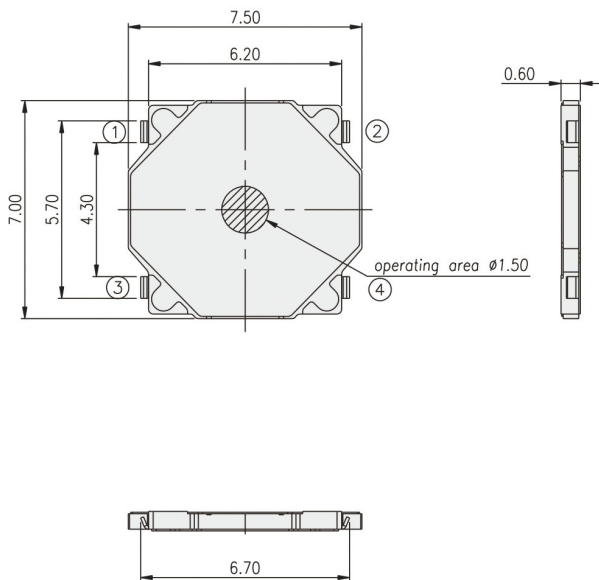


**PACKAGE**

<Tape & Reel>  
5200 pcs.

TACT SWITCH

**ST7B**



P.C.B. LAYOUT