

STJ-4

**FEATURES**

- ※ Compact-sized 4.4x4.4mm
- ※ Low profile of 0.55mm height
- ※ Long operating life

**APPLICATION**

- ※ Smart phone
- ※ Digital camera, Medical
- ※ Portable electronic device

**SPECIFICATION**

Contact Rating	50mA, 12V DC
Contact Resistance	100mΩ max.
Insulation Resistance	100MΩ min. 500V DC
Dielectric Strength	300V AC/1 minute
Operating Force	100±50gf/160±50gf/200±50gf 260±50gf
Travel	0.2mm
Operating Life	500,000 cycles for 260/200gf 1,000,000 cycles for 160/100gf
Operating Temp.	-20°C ~ +70°C
Storage Temp.	-30°C ~ +80°C

**HOW TO ORDER**

STJ-4 □ □ □ □ Q □

A=With Push Button  
□=Without Push Button

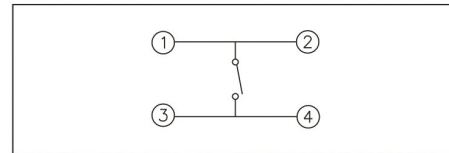
Operating Force:  
10=100gf  
16=160gf  
20=200gf  
26=260gf

Package:  
R=Tape & Reel  
□=Regular

Halogen Free

A=Without Hole  
□=With Hole

**CIRCUIT**

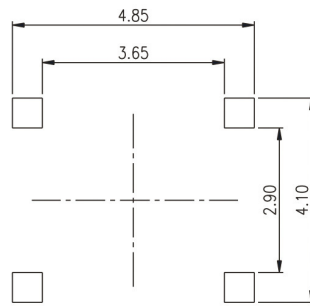
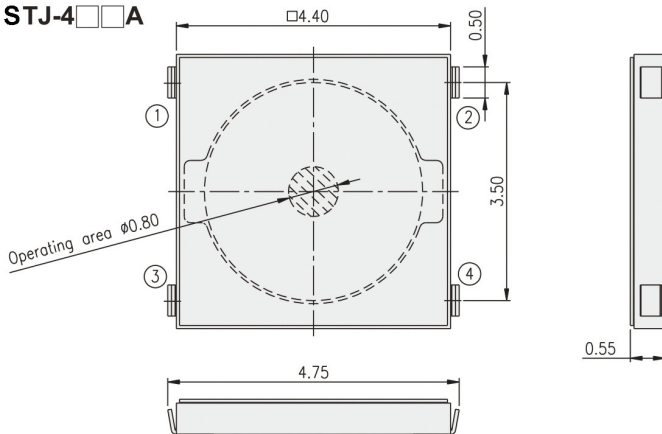


**PACKAGE**

<Tape & Reel>  
STJ-4: 8000 pcs

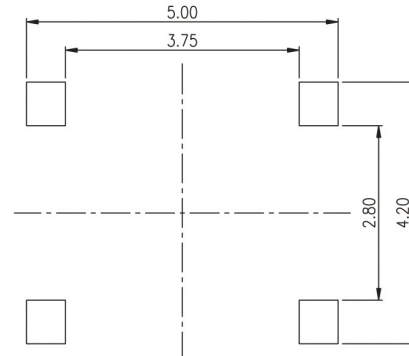
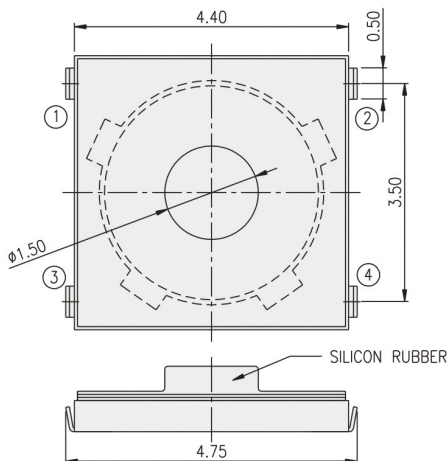
TACT SWITCH

**STJ-4 □ □ □ A**



P.C.B. LAYOUT

**STJ-4A**



P.C.B. LAYOUT