

FEATURES

- ※ Thinner type with 2.5-5.25mm height
- ※ Ground terminal available
- ※ Reflow solderable

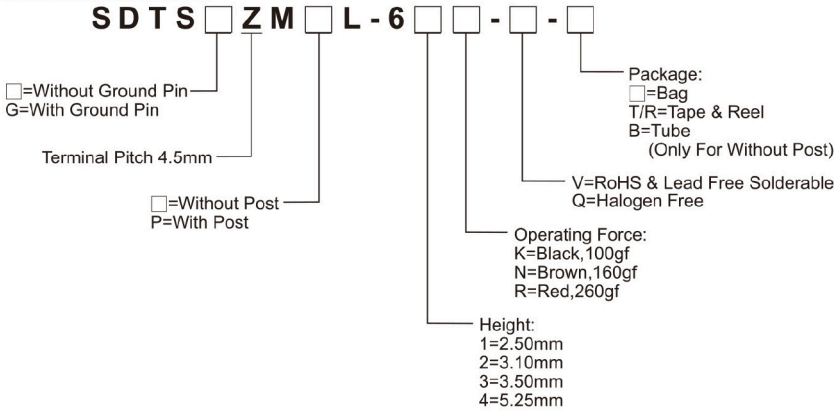
APPLICATION

- ※ Audio, OA equipment
- ※ Instrumentation
- ※ Consumer electronics

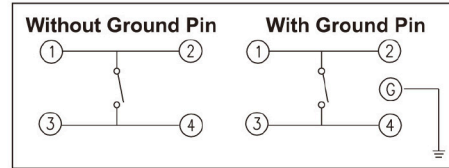
SPECIFICATION

Contact Rating	50mA, 12V DC
Contact Resistance	100mΩ max.
Insulation Resistance	100MΩ min. 500V DC
Dielectric Strength	250V AC/1 minute
Operating Force	100±50gf, Black(K) 160±50gf, Brown(N) 260±50gf, Red(R)
Travel	0.25mm
Operating Life	100,000 cycles for 260gf 1,000,000 cycles for 160, 100gf
Operating Temp.	-25°C ~ +70°C
Storage Temp.	-30°C ~ +80°C

HOW TO ORDER



CIRCUIT

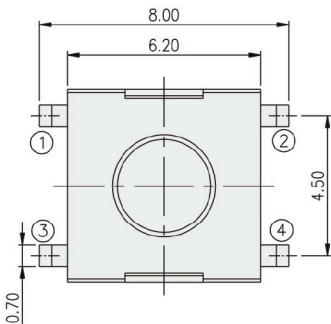


PACKAGE

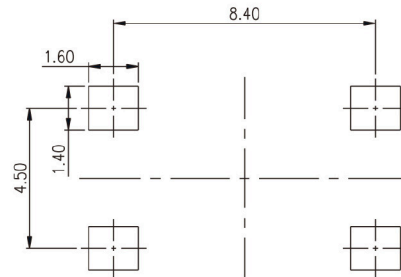
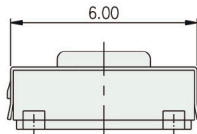
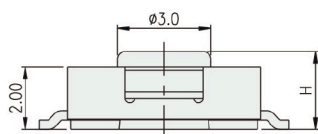
- <Tube>
75 pcs
- <Tape & Reel>
SDTS(G)ZML-61 □: 2500 pcs
SDTS(G)ZML-62 □: 2500 pcs
SDTS(G)ZMPL-61, 62: 1200 pcs
SDTS(G)ZM(P)L-63: 1200 pcs
SDTS(G)ZML(P)L-64: 900 pcs

TACT SWITCH

SDTSZML-6

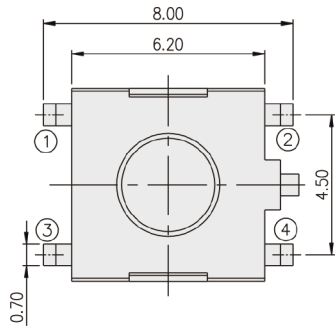


PART NO.	H
SDTS □ ZML-61	2.50
SDTS □ ZML-62	3.10
SDTS □ ZML-63	3.50
SDTS □ ZML-64	5.25

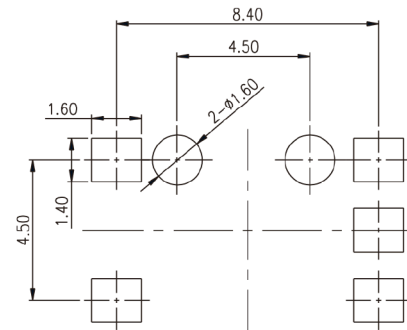
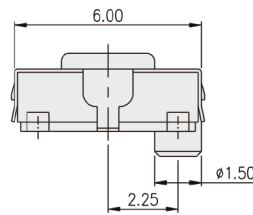
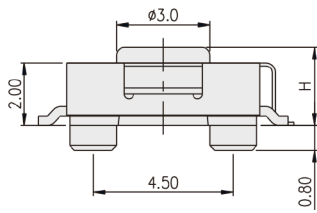


P.C.B. LAYOUT

SDTSGZMPL-6



PART NO.	H
SDTS□ZMPL-61	2.50
SDTS□ZMPL-62	3.10
SDTS□ZMPL-63	3.50
SDTS□ZMPL-64	5.25



P.C.B. LAYOUT

TACT SWITCH