

TACT SWITCH
ST3BL SERIES

3.7x3.7 J Terminal SMT Type
(H: 0.35mm)



2018



FEATURES

- ※ Compact-sized 3.7x3.7mm
- ※ Low profile of 0.35mm height
- ※ 500,000 life cycles operating

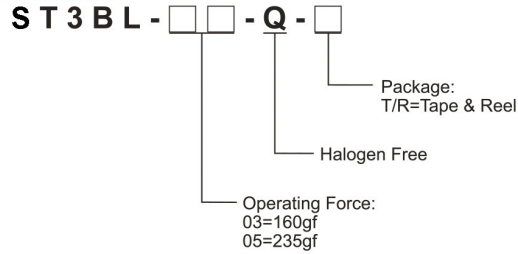
APPLICATION

- ※ Smart phone
- ※ Digital camera, Medical
- ※ Portable electronic device

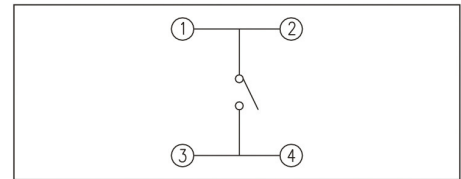
SPECIFICATION

Contact Rating	50mA, 12V DC
Contact Resistance	100mΩ max.
Insulation Resistance	100MΩ min. 100V DC
Dielectric Strength	100V AC/1 minute
Operating Force	160±50gf/235±60gf
Travel	0.15mm
Operating Life	50,000 cycles for 235gf 500,000 cycles for 160gf
Operating Temp.	-40°C ~ +85°C
Storage Temp.	-40°C ~ +85°C

HOW TO ORDER



CIRCUIT

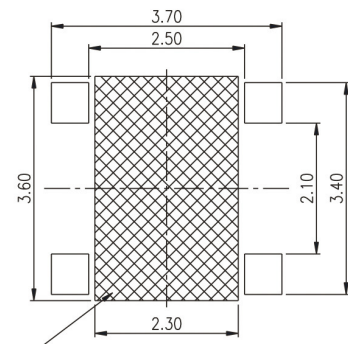
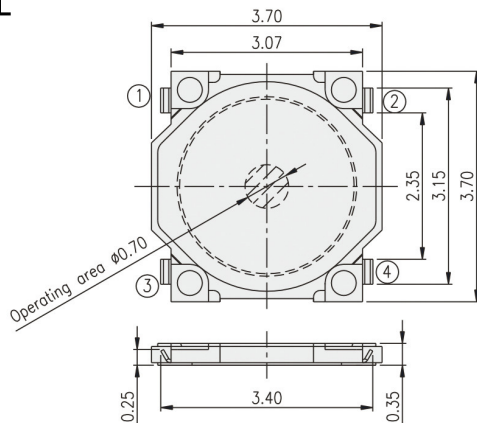


PACKAGE

<Tape & Reel>
8000 pcs

TACT SWITCH

ST3BL



Any land pattern or vias shall not be provided at 2.30X3.60 area.

P.C.B. LAYOUT