



FEATURES

- ※ J or M terminations
- ※ Long Travel type
- ※ Long operation cycles
- ※ IP67

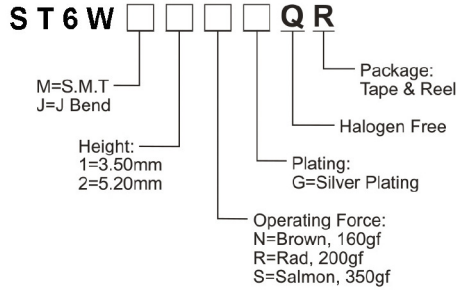
APPLICATION

- ※ Automotive
- ※ Cellular phones
- ※ Industrial electronics
- ※ Network infrastructure and IT
- ※ Elevator

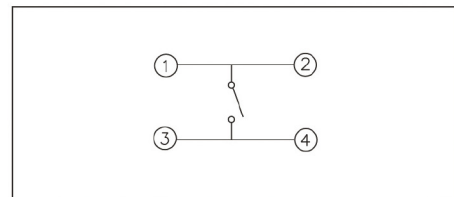
SPECIFICATION

Contact Rating	20mV DC~32V DC/1.0 mA~50 mA
Contact Resistance	100mΩ max.
Insulation Resistance	10MΩ min. 100V DC
Dielectric Strength	250V AC/1 minute
Operating Force	160±50gf, Brown(N) 200±50gf, Rad(R) 350±100gf, Salmon(S)
Travel	0.3mm (160gf) 0.35mm (200gf) 0.5mm (350gf)
Operating Life	300,000 cycles (350gf) 500,000 cycles (200gf) 5,000,000 cycles (160gf)
Operating Temp.	-40°C ~ +85°C
Storage Temp.	-55°C(10 days) ~ +85°C(4 days)

HOW TO ORDER



CIRCUIT

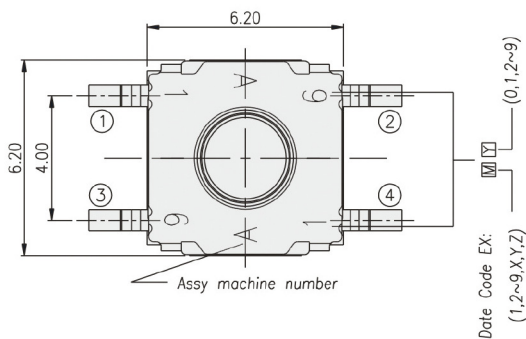


PACKAGE

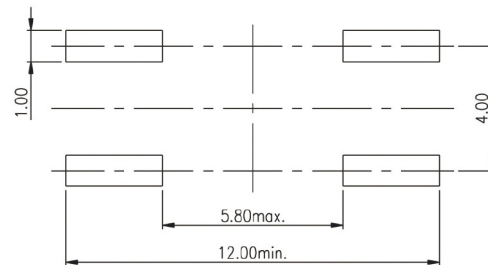
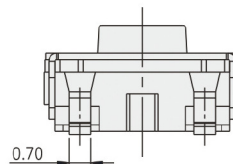
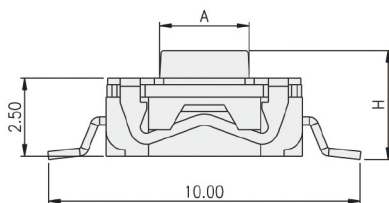
<Tape & Reel>
ST6W 1: 2000 pcs
ST6W 2: 1000 pcs

TACT SWITCH

ST6WM



PART NO.	A	H
ST6WM1	ø2.90	3.50
ST6WM2	ø2.70	5.20



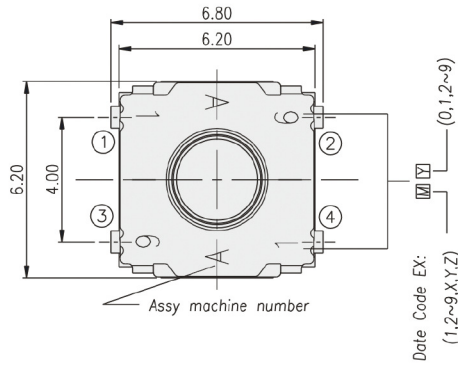
P.C.B. LAYOUT

TACT SWITCH
ST6W SERIES

Long Travel SMT Type
 Tactile Switch



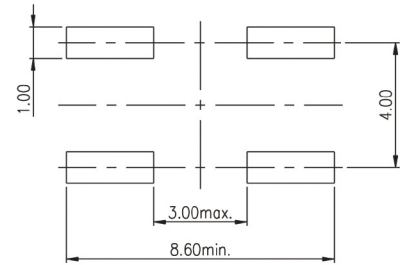
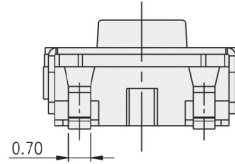
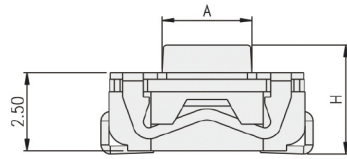
ST6WJ



PART NO.	A	H
ST6WJ1	∅2.90	3.50
ST6WJ2	∅2.70	5.20

Date Code EX:
 (1,2~9,X,Y,Z)

TACT SWITCH



P.C.B. LAYOUT