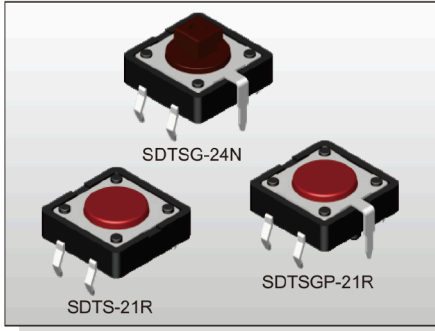


TACT SWITCH SDTS(G)(P)-2 SERIES

12x12 Through Hole
With Ground Terminal Type



2018



FEATURES

- ※ Snap in type with ground pin
- ※ Guide bosses available
- ※ Cap options

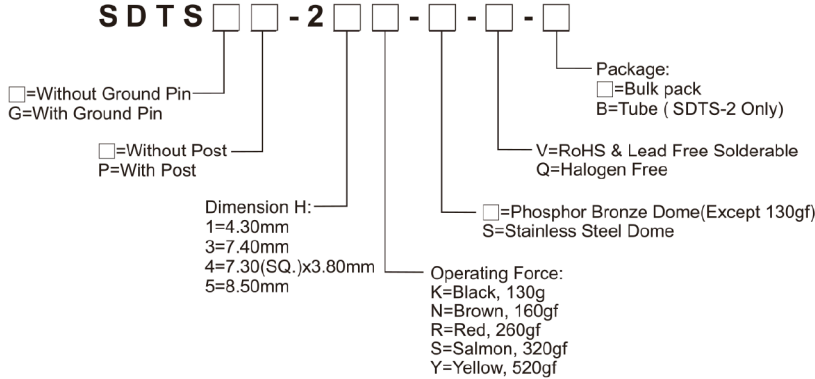
APPLICATION

- ※ Audio, OA equipment
- ※ Instrumentation
- ※ Industrial

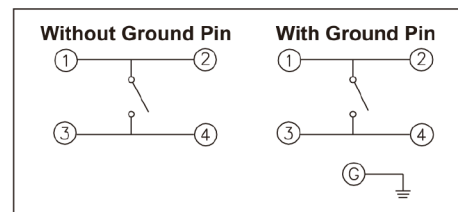
SPECIFICATION

Contact Rating	50mA, 12V DC
Contact Resistance	100mΩ max.
Insulation Resistance	100MΩ min. 500V DC
Dielectric Strength	250V AC/1 minute
Operating Force	130±50gf, Black(K) 160±50gf, Brown(N) 260±50gf, Red(R) 320±80gf, Salmon(S) 520±130gf, Yellow(Y)
Travel	0.35mm
Operating Life	Phosphor Bronze Dome 100,000 cycles for 520/320/260gf 200,000 cycles for 160gf Stainless Steel Dome 300,000 cycles for 520/320gf 500,000 cycles for 260gf 1,000,000 cycles for 160gf 10,000,000 cycles for 130gf
Operating Temp.	-25°C ~ +70°C
Storage Temp.	-30°C ~ +80°C

HOW TO ORDER



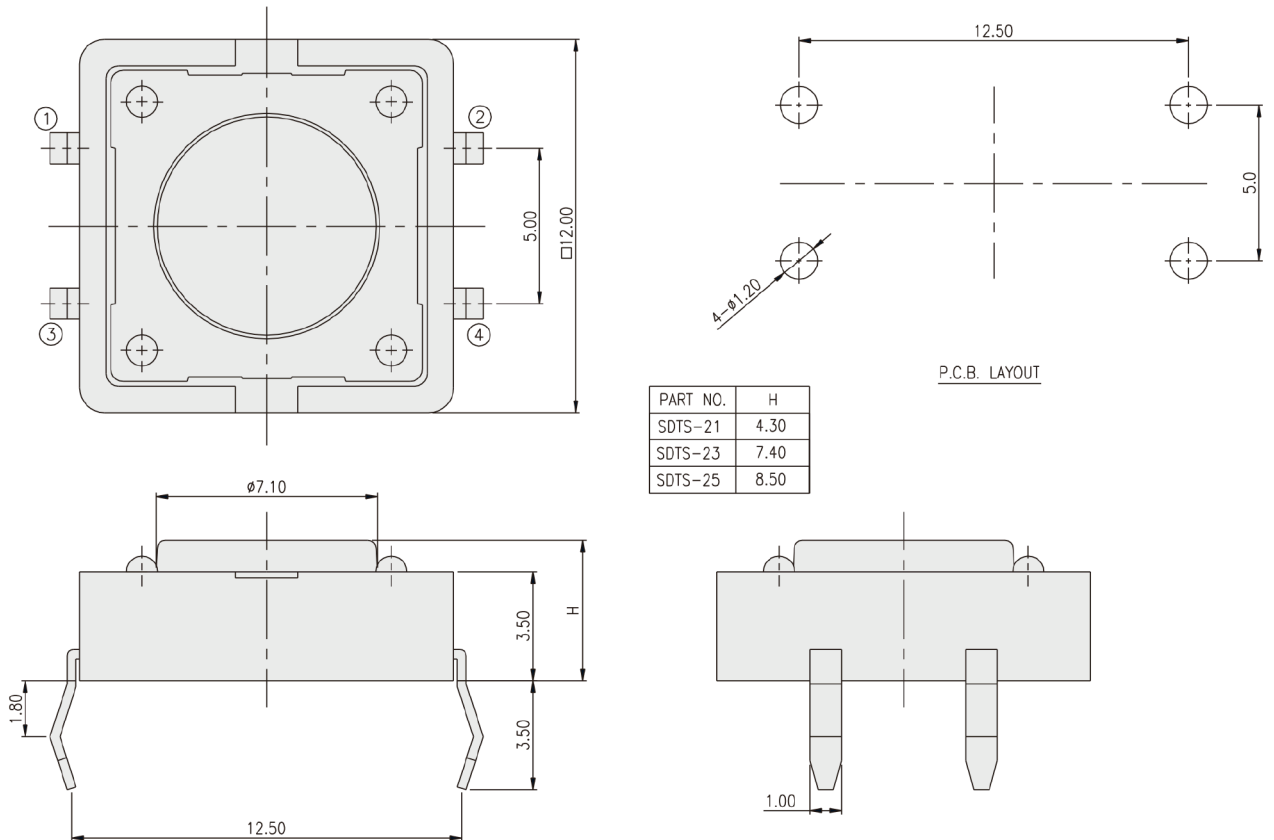
CIRCUIT



PACKAGE

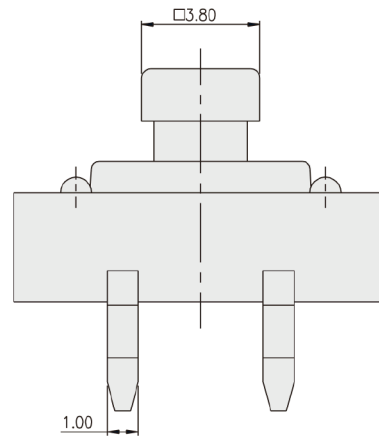
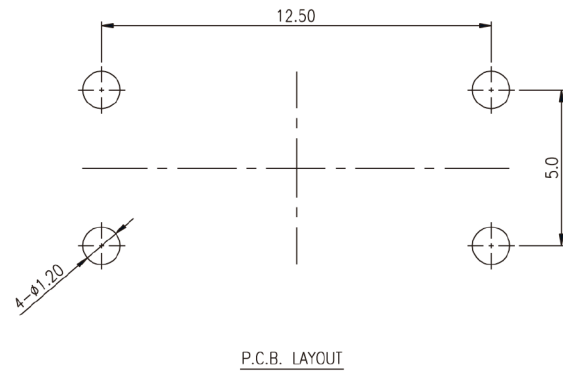
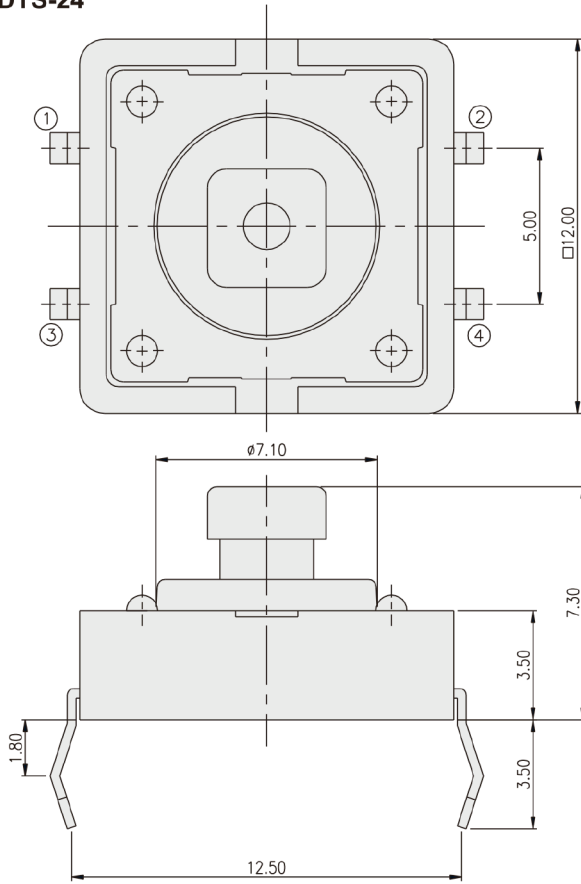
<Bag>
500 pcs
<Tube>
SDTS-2: 40 pcs

SDTS-2



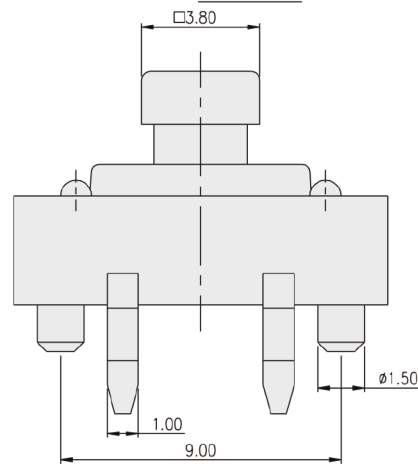
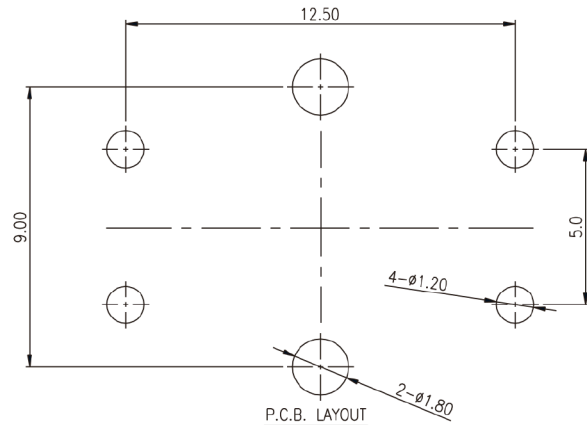
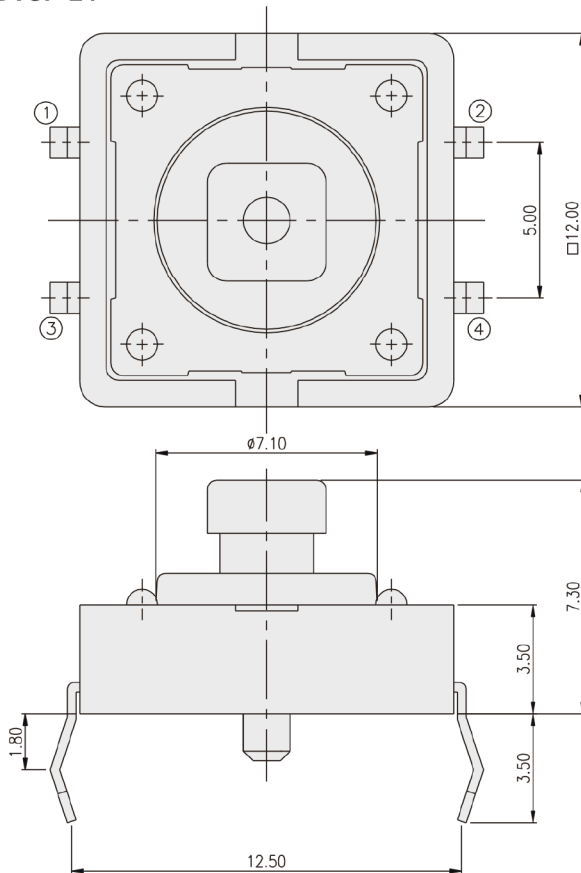
TACT SWITCH

SDTS-24



TACT SWITCH

SDTSP-24

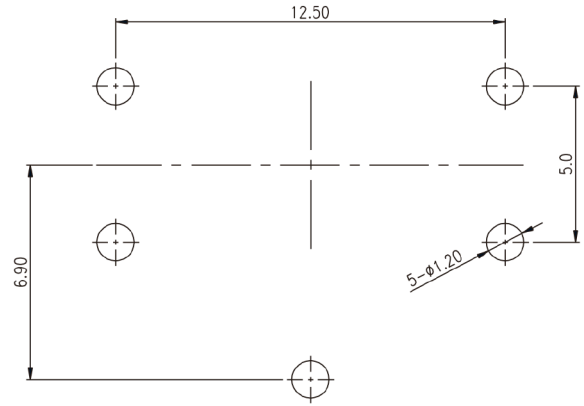
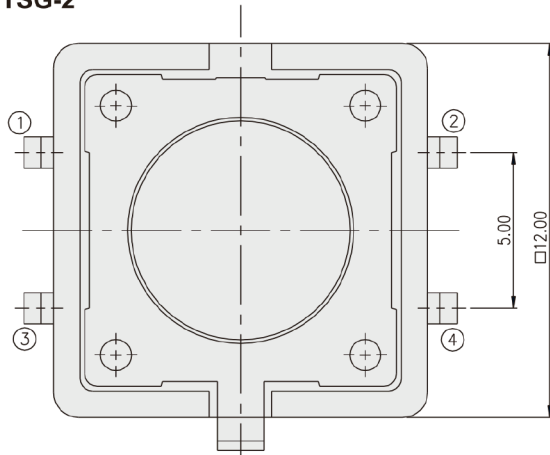


TACT SWITCH
SDTS(G)(P)-2 SERIES

12x12 Through Hole
 With Ground Terminal Type

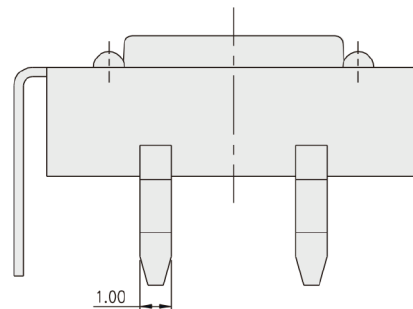
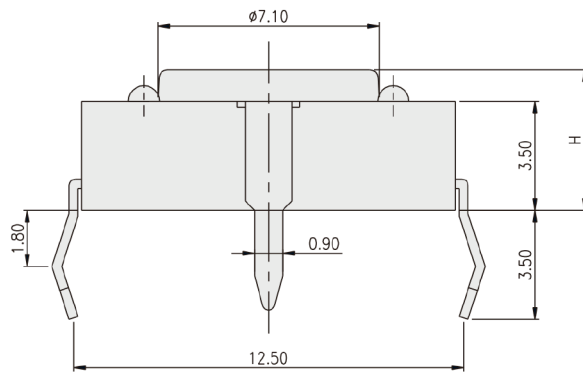


SDTSG-2



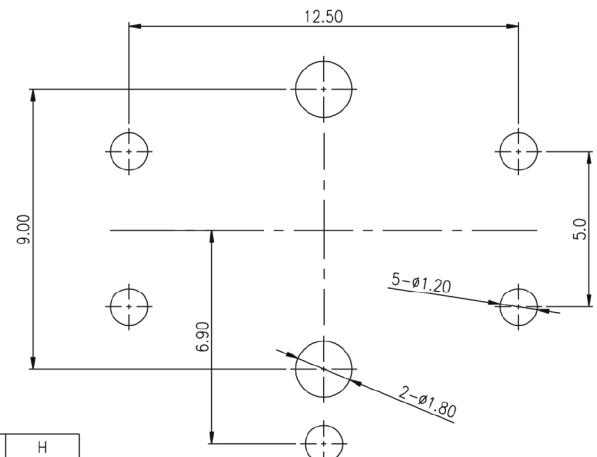
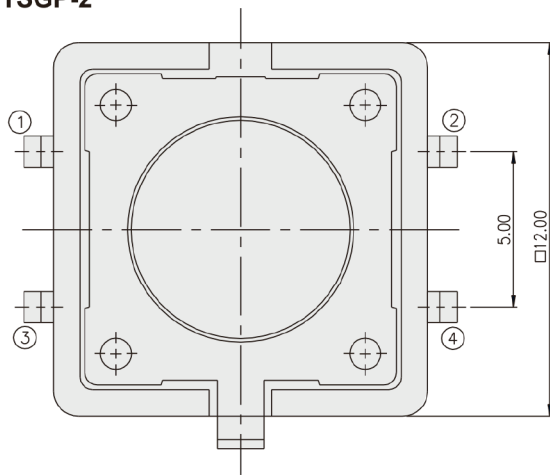
PART NO.	H
SDTSG-21	4.30
SDTSG-23	7.40
SDTSG-25	8.50

P.C.B. LAYOUT



TACT SWITCH

SDTSGP-2



PART NO.	H
SDTSGP-21	4.30
SDTSGP-23	7.40
SDTSGP-25	8.50

P.C.B. LAYOUT

