

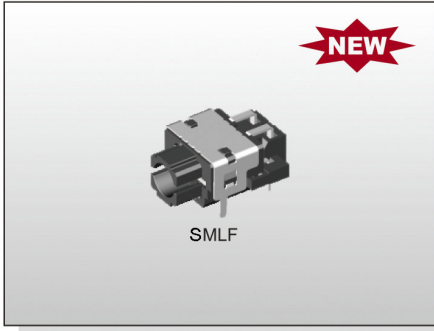
**ILLUMINATED SWITCH
SMLF SERIES**

**Tact Switch
Illuminated**



2018

ILLUMINATED SWITCH



FEATURES

- ※Horizontal operation
- ※Various LED colors
- ※Mid-mount type

APPLICATION

- ※Server, desktop
- ※Communication apparatus
- ※IPC

SPECIFICATION

Contact Rating	50mA, 12V DC
Contact Resistance	100mΩ max.
Insulation Resistance	10MΩ min. 100V DC
Dielectric Strength	250V AC/1 minute
Operating Force	200±70gf
Travel	1.5mm
Operating Life	100,000 cycles
Operating Temp.	-40°C ~ +85°C
Storage Temp.	-40°C ~ +85°C

HOW TO ORDER

SMLF-3 **QR**

Operation Force:
200gf

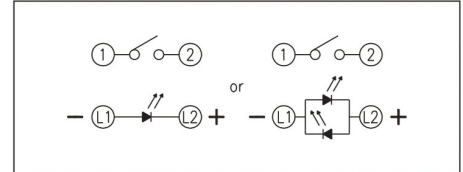
Package:
Tape & Reel

Halogen Free

LED Color:

=Without LED
AW=Amber/White

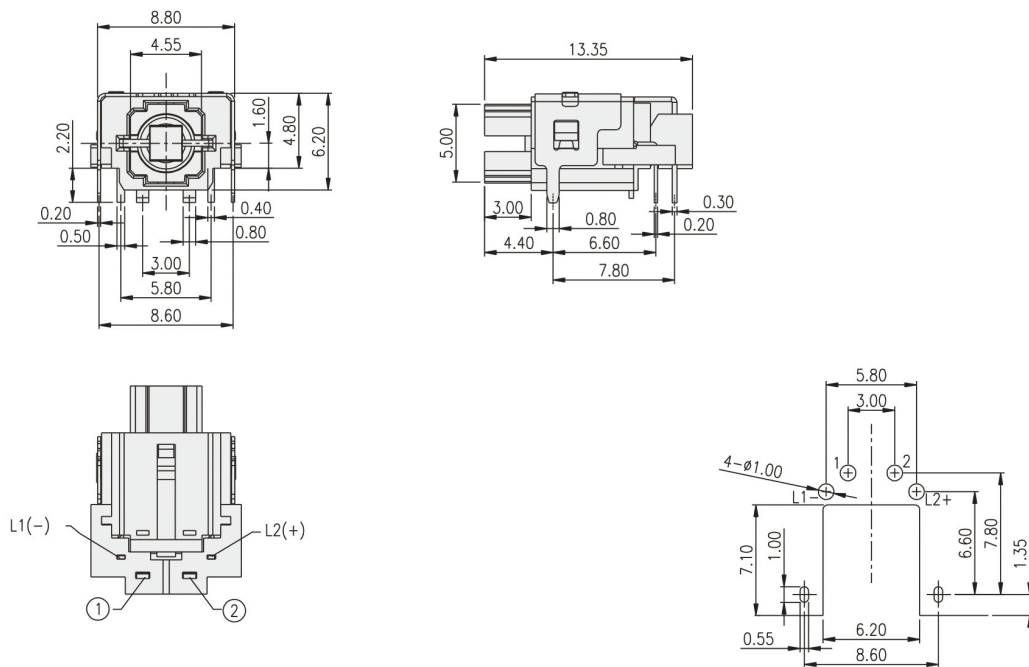
CIRCUIT



PACKAGE

<Tape & Reel>
570 pcs.

SMLF



P.C.B. LAYOUT