

**FEATURES**

- ✳ Support automatic insertion
- ✳ Vertical actuation
- ✳ Dust proof structure

**APPLICATION**

- ✳ Automotive
- ✳ Industrial
- ✳ Instrumentation

**SPECIFICATION**

Contact Rating	50mA, 12V DC
Contact Resistance	100mΩ max.
Insulation Resistance	100MΩ min. 100V DC
Dielectric Strength	250V AC/1 minute
Operating Force	130±50gf / 160±50gf 300±50gf / 500±100gf
Travel	0.5mm
Operating Life	200,000 cycles for 500gf 500,000 cycles for 300gf 1,000,000 cycles for 160/130gf
Operating Temp.	-40°C ~ +85°C
Storage Temp.	-40°C ~ +85°C

**HOW TO ORDER**

ST6H - [ ] - [ ] [ ] [ ] Q [ ]

A=Right angle series  
H=Through holes  
M=S.M.T Type  
1=6x6 ground terminal type  
2=S.M.T ground terminal type

Package Style:  
R=Tape & Reel (S.M.T. Type Only)  
B=Tube

Halogen Free

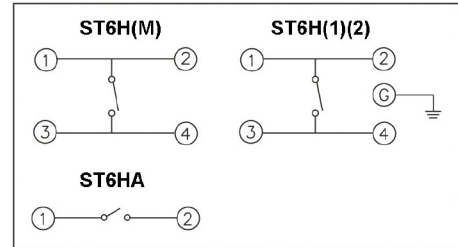
Contact Plating:  
G = Plating Ag  
A= Plating Au

Total Height :

SMT/Through hole	Right angle
1=4.70mm	1=6.04mm
2=5.20mm	2=6.54mm
3=6.90mm	3=8.24mm
5=10.0mm	5=11.34mm

Operating Force:  
2=130gf  
3=160gf  
5=300gf  
6=500gf

**CIRCUIT**

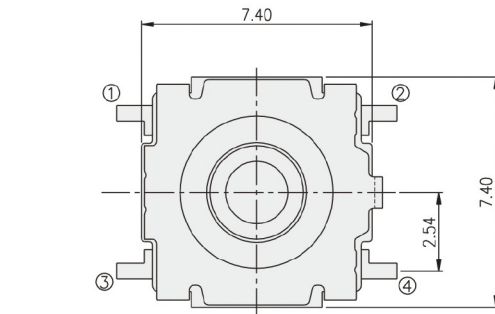


**PACKAGE**

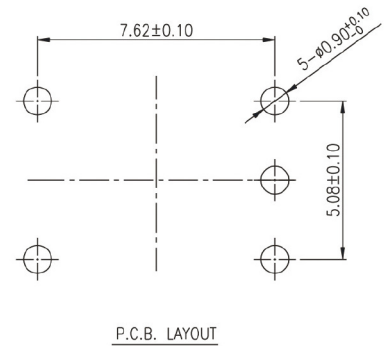
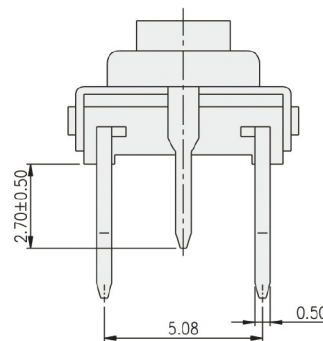
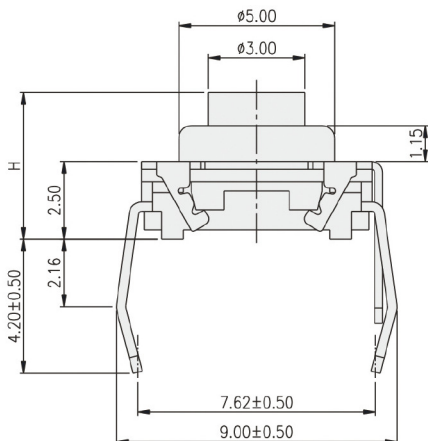
<Tube>  
ST6HH, ST6H1: 60 pcs  
ST6HA: 52 pcs  
<Tape & Reel>  
ST6HM-(1)(2): 700 pcs  
ST6HM-3: 500 pcs  
ST6HM: 350 pcs

TACT SWITCH

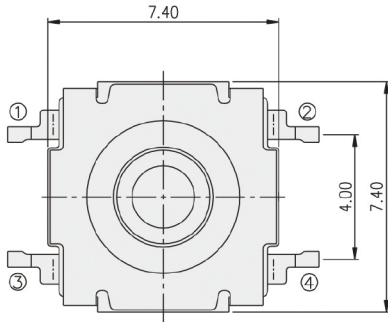
**ST6H1**



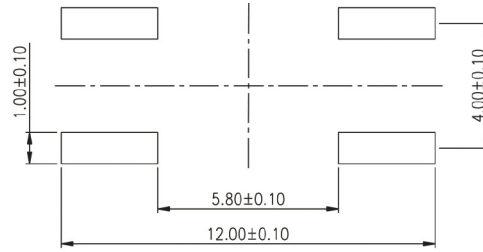
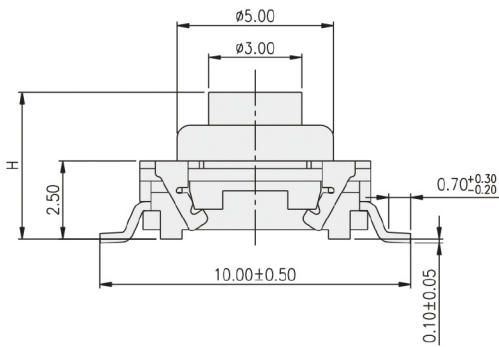
PART NO.	H
ST6H1-1	4.70
ST6H1-2	5.20
ST6H1-3	6.90
ST6H1-5	10.00



**ST6HM**



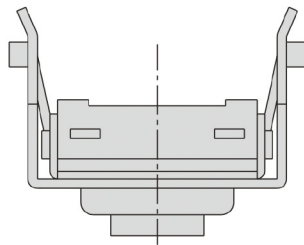
PART NO.	H
ST6HM-1	4.70
ST6HM-2	5.20
ST6HM-3	6.90
ST6HM-5	10.00



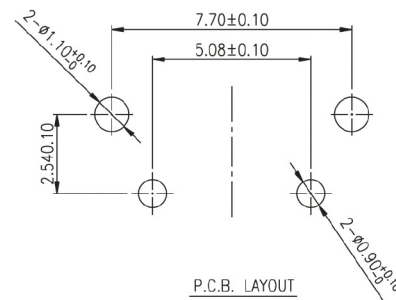
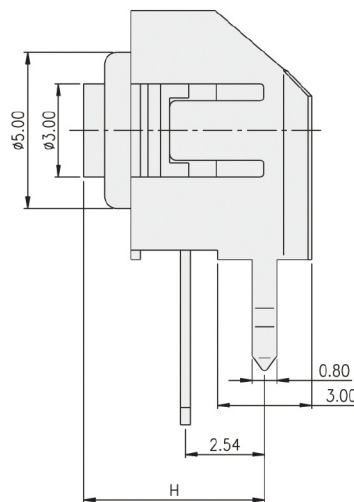
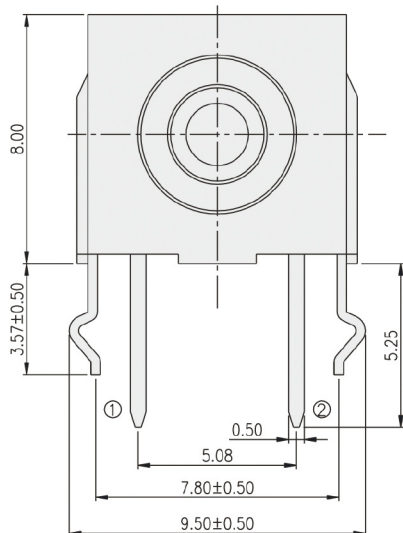
P.C.B. LAYOUT

TACT SWITCH

**ST6HA**



PART NO.	H
ST6HA-1	6.04
ST6HA-2	6.54
ST6HA-3	8.24
ST6HA-5	11.34



P.C.B. LAYOUT