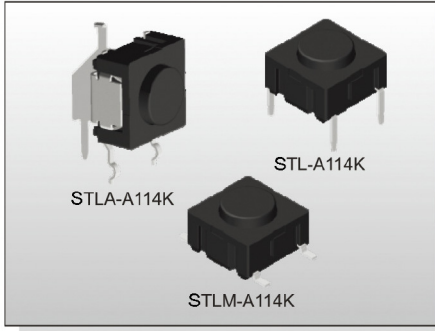


TACT SWITCH  
STL( )-A1 SERIES

10x10  
High Reliability



2018



**FEATURES**

- ※ Sealed
- ※ Long life of 10million
- ※ Variety of actuator lengths

**APPLICATION**

- ※ Music instrument
- ※ Intercom system
- ※ Industrial

**SPECIFICATION**

Contact Rating	0.5~50mA, 24V DC
Contact Resistance	30mΩ max.
Insulation Resistance	10MΩ min. 100V DC
Dielectric Strength	250V AC/1 minute
Operating Force	300±75gf
Travel	1mm
Operating Life	10,000, 000 cycles
Operating Temp.	-40°C ~ +160°C
Storage Temp.	-40°C ~ +160°C

**HOW TO ORDER**

STL □ - A 1 1 4 K - Q - □

Solder Type:  
□=Through Hole  
M=S.M.T.  
A=Right Angle

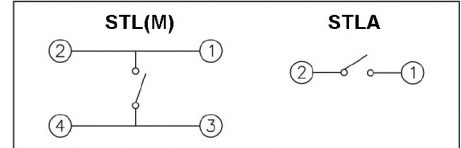
Package:  
B=Tube  
(For Through Hole Type)  
T/R=Tape & Reel(For S.M.T. Type)

Halogen Free

Button Color:  
Black

Operating Force:  
300gf

**CIRCUIT**

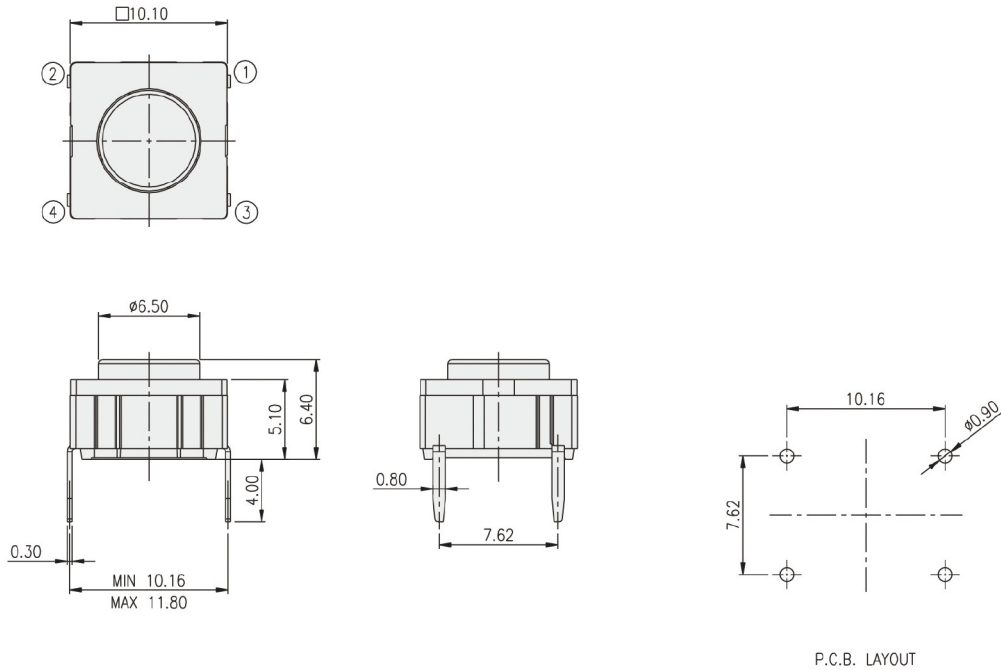


**PACKAGE**

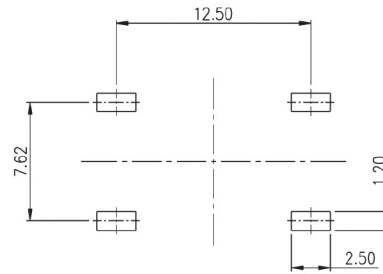
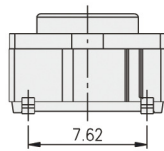
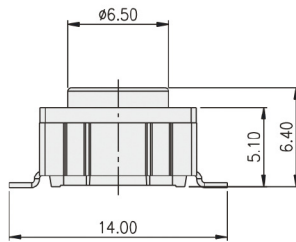
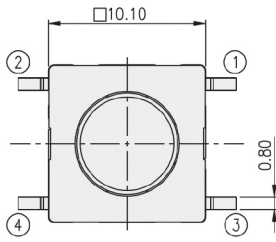
<Tube>  
STL(A): 45 pcs  
<Tape & Reel>  
STLM: 650 pcs

TACT SWITCH

**STL-A114K**



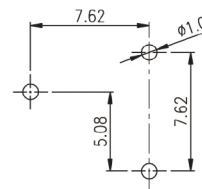
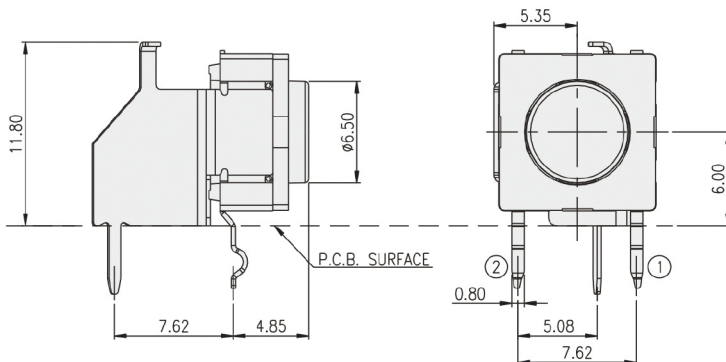
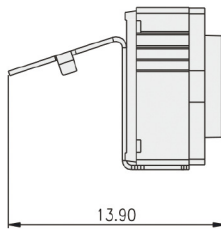
**STLM-A114K**



P.C.B. LAYOUT

TACT SWITCH

**STLA-A114K**



P.C.B. LAYOUT