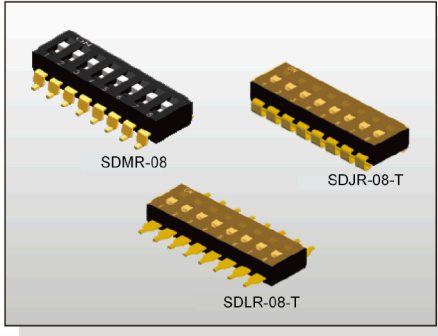


DIP SWITCH SD(M)(J)(L) SERIES

SMT Type



2018



FEATURES

- ※Low profile for space saving
- ※Gold contact for high reliability
- ※Top tape type for washing process

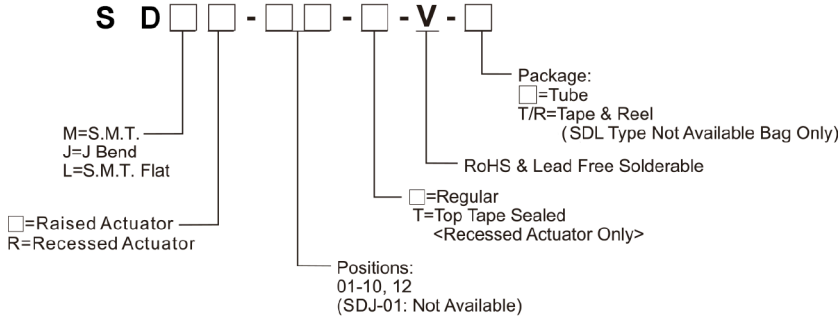
APPLICATION

- ※Industrial control
- ※Automatic machines control
- ※Telecommunication

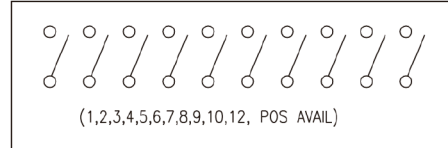
SPECIFICATION

Contact Rating	25mA, 24V DC
Contact Resistance	50mΩ max.
Insulation Resistance	100MΩ min. 500V DC
Dielectric Strength	500V AC/1 minute
Operating Force	1,000gf max.
Travel	1mm
Operating Life	2,000 cycles
Operating Temp.	-20°C ~ +85°C
Storage Temp.	-40°C ~ +85°C

HOW TO ORDER



CIRCUIT



PACKAGE

<Tube>

SDM(R), SDJ(R):

- 01: 130 pcs 02: 76 pcs 03: 55 pcs 04: 42 pcs
05: 35 pcs 06: 28 pcs 07: 25 pcs 08: 22 pcs
09: 20 pcs 10: 18 pcs 12: 15 pcs

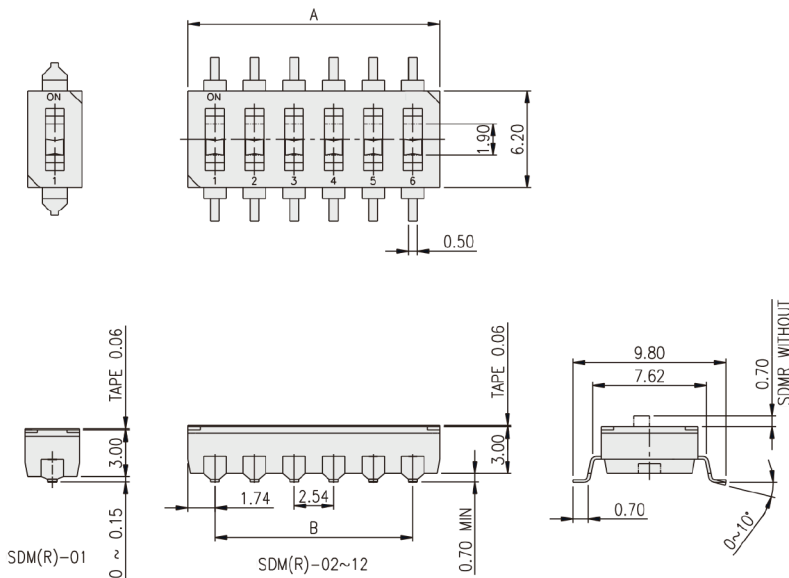
<Tape & Reel>

- SDM(R)-01: 800pcs
SDMR-02~SDMR-12: 900 pcs
SDM-(01)(05)(07):800 pcs
SDM-(02)(03)(04)(06)(08)(09)(10)(12): 700 pcs
SDJR-(02)(03)(04)(08)(09)(10): 1000 pcs

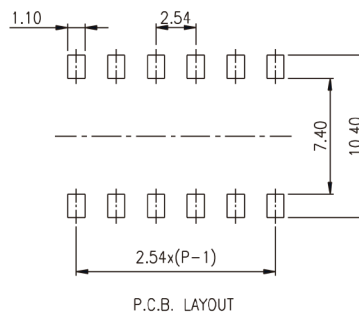
<Bag>

SDL(R): 1000 pcs

SDM(R)



PART NO.	NO. OF POS.	DIM.A	DIM.B
SDM(R)-01	1	3.48	/
SDM(R)-02	2	6.02	2.54
SDM(R)-03	3	8.56	5.08
SDM(R)-04	4	11.10	7.62
SDM(R)-05	5	13.64	10.16
SDM(R)-06	6	16.18	12.70
SDM(R)-07	7	18.72	15.24
SDM(R)-08	8	21.26	17.78
SDM(R)-09	9	23.80	20.32
SDM(R)-10	10	26.34	22.86
SDM(R)-12	12	31.42	27.94



DIP SWITCH

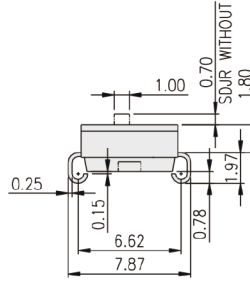
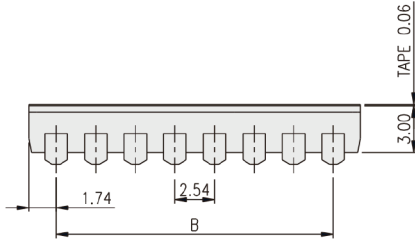
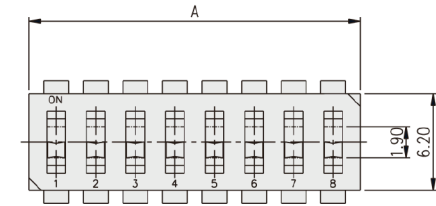
DIP SWITCH
SD(M)(J)(L) SERIES

SMT Type

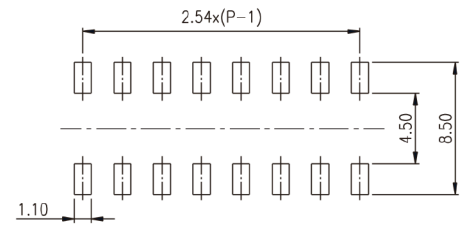


SDJ(R)

DIP SWITCH

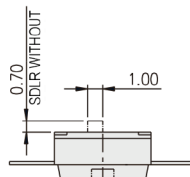
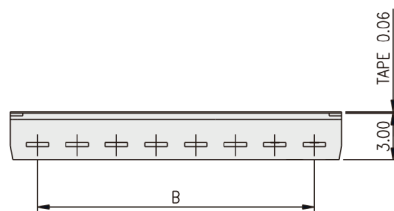
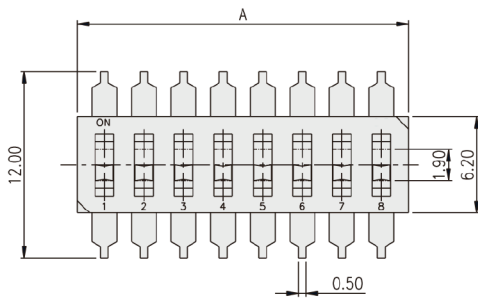


PART NO.	NO.OF POS.	DIM.A	DIM.B
SDJ(R)-02	2	6.02	2.54
SDJ(R)-03	3	8.56	5.08
SDJ(R)-04	4	11.10	7.62
SDJ(R)-05	5	13.64	10.16
SDJ(R)-06	6	16.18	12.70
SDJ(R)-07	7	18.72	15.24
SDJ(R)-08	8	21.26	17.78
SDJ(R)-09	9	23.80	20.32
SDJ(R)-10	10	26.34	22.86
SDJ(R)-12	12	31.42	27.94

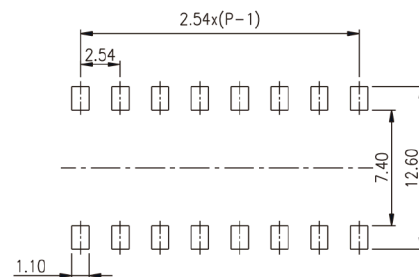


P.C.B. LAYOUT

SDL(R)



PART NO.	NO.OF POS.	DIM.A	DIM.B
SDL(R)-01	1	3.48	/
SDL(R)-02	2	6.02	2.54
SDL(R)-03	3	8.56	5.08
SDL(R)-04	4	11.10	7.62
SDL(R)-05	5	13.64	10.16
SDL(R)-06	6	16.18	12.70
SDL(R)-07	7	18.72	15.24
SDL(R)-08	8	21.26	17.78
SDL(R)-09	9	23.80	20.32
SDL(R)-10	10	26.34	22.86
SDL(R)-12	12	31.42	27.94



P.C.B. LAYOUT