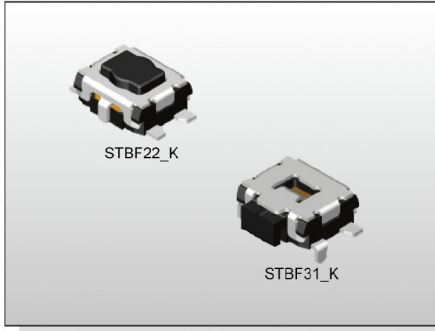


TACT SWITCH
STBF SERIES

2.9x3.5
Side Push / Vertical Push Type



2018



FEATURES

- ※Miniature 2.9x3.5mm
- ※Vertical or side actuation
- ※Long operating life

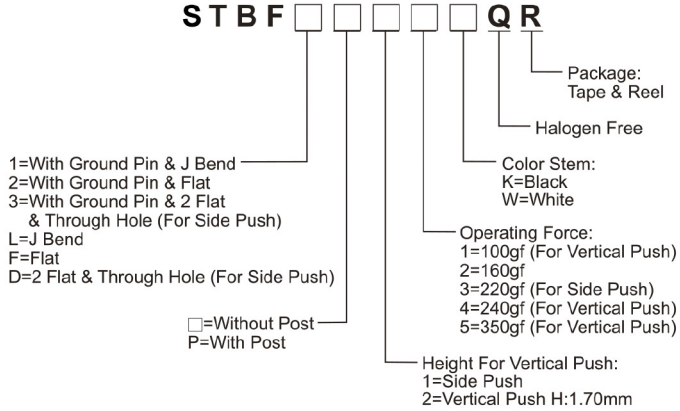
APPLICATION

- ※Mobile phone
- ※Consumer electronics
- ※Automotive

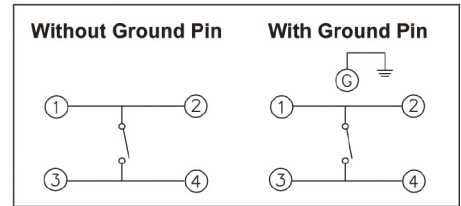
SPECIFICATION

Contact Rating	10 μ A, 2V DC to 20mA, 15V DC
Contact Resistance	100m Ω max.
Insulation Resistance	100M Ω min. 100V DC
Dielectric Strength	250V AC/1 minute
Operating Force	100 \pm 50/160 \pm 50/240 \pm 80/350 \pm 100gf (Vertical Push) 160+70/-40, 220+80/-70gf (Side Push)
Travel	0.15mm (Vertical Push) 0.20mm (Side Push)
Operating Life	100,000 cycles for Side Push 200,000 cycles for 160/240/350gf 1,000,000 cycles for 100gf (Vertical Push)
Operating Temp.	-40 $^{\circ}$ C ~ +85 $^{\circ}$ C
Storage Temp.	-40 $^{\circ}$ C ~ +85 $^{\circ}$ C

HOW TO ORDER



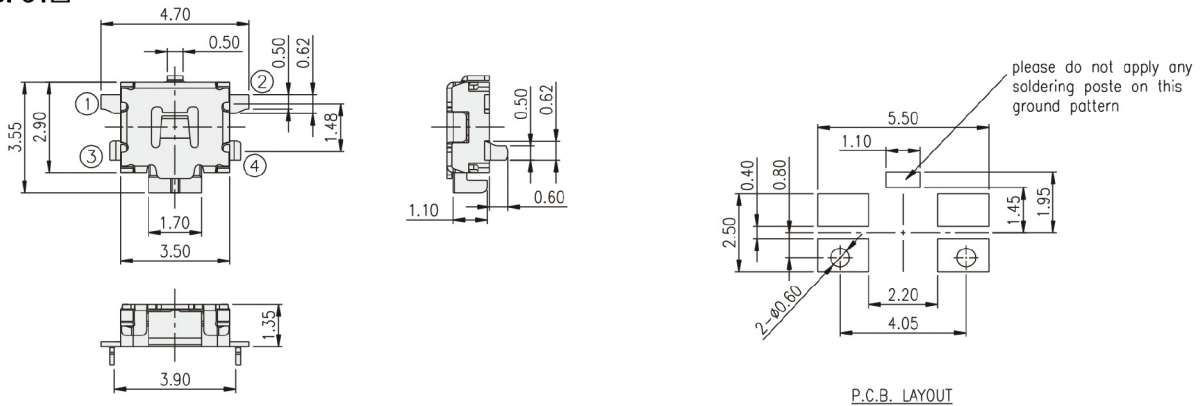
CIRCUIT



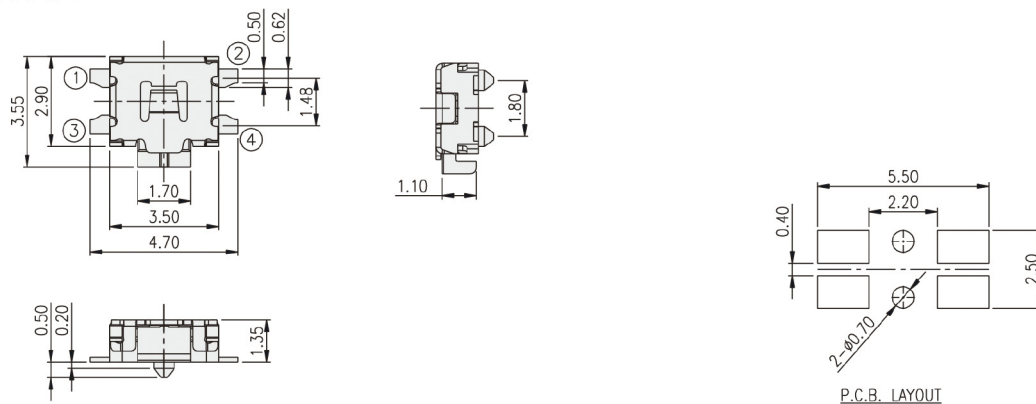
PACKAGE

<Tape & Reel>
3000 pcs

STBF31□

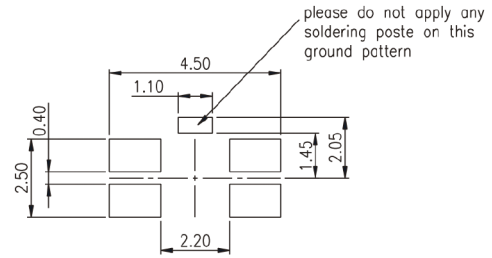
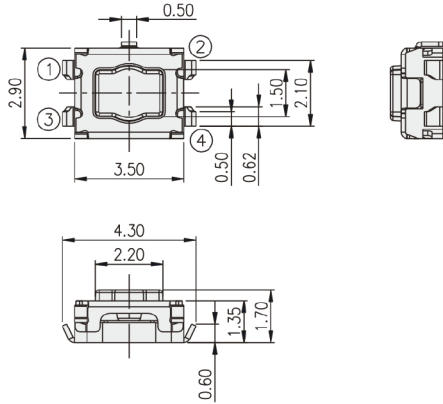


STBFFP1□



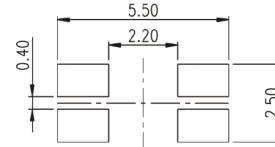
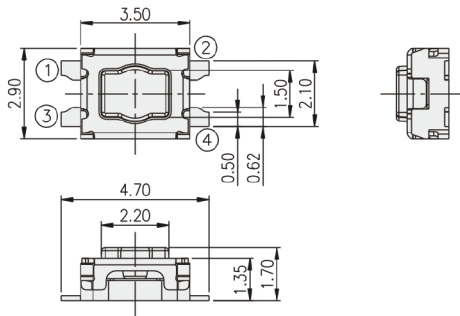
TACT SWITCH

STBF12□



P.C.B. LAYOUT

STBFF5□



P.C.B. LAYOUT

TACT SWITCH