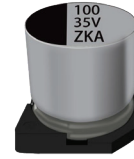


Aluminum Electrolytic Capacitor of V-chip Type

- 适用于回流焊
- 性能稳定、可靠性高
- Reflow soldering is available
- High stability and reliability
- 适用于高密度表面组装
- 低阻抗品
- Available for high density surface mounting
- Lower Impedance
- 寿命: +105°C, 2000 小时。
- Lifetime: +105°C, 2000 Hrs.

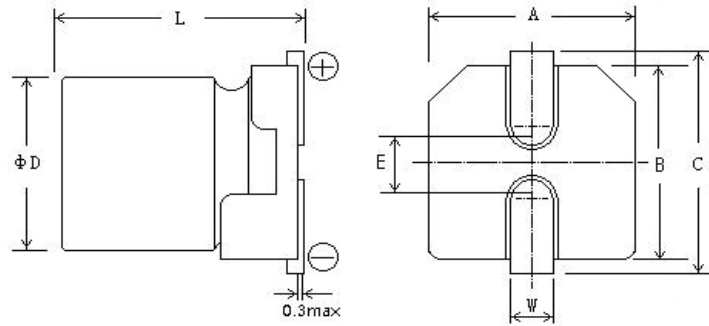


主要技术性能 Specifications

使用温度范围 Operating Temperature Range	-55~+105°C															
额定电压范围 Rated Voltage Range	6.3~100V DC															
标称电容量允许偏差 Capacitance Tolerance	±20% (120Hz, 20°C)															
漏电流(20°C) Leakage Current	<p>I≤0.01CV(μA)或3μA 取较大者, (2分钟) I≤0.01CV(μA) or 3μA Whichever is greater (after 2 minutes)</p> <p style="text-align: center;">I=Leakage Current(μA), C=Capacitance(μF), V=Rated DC Working Voltage(V)</p>															
损耗角正切值 Dissipation Factor (120Hz 20°C)	WV	6.3	10	16	25	35	50	63	80	100						
	tg δ	0.22	0.19	0.16	0.14	0.12	0.10	0.08	0.08	0.08						
	0.02 is added to every 1000μF increase over 1000μF															
温度特性 (120Hz) Temperature Characteristics Impedance Ratio (120Hz)	WV	6.3	10	16	25	35	50	63	80	100						
	$Z_{-25°C} / Z_{+20°C}$	2	2	2	2	2	2	2	2	2						
	$Z_{-40°C} / Z_{+20°C}$	3	3	3	3	3	3	3	3	3						
	$Z_{-55°C} / Z_{+20°C}$	4	4	4	3	3	3	3	3	3						
耐久性 Load Life	<p>+105°C施加额定电压 2000 小时, 恢复 16 小时后, 电容器应满足要求 After applying rated voltage for 2000 hours at +105°C and then resumed 16 hours. The capacitor shall meet the following limits.</p> <table border="1" style="width: 100%; border-collapse: collapse;"> <tr> <td style="width: 50%;">电容量变化率 Capacitance Change</td> <td style="width: 50%;">≤ ±20%初始测量值 (≤16V: ±25%初始测量值) ≤ ±20% of Initial measured value (≤16V: ±25% of the initial value)</td> </tr> <tr> <td>漏电流值 Leakage</td> <td>≤ 规定值 ≤ The specified value</td> </tr> <tr> <td>损耗角正切值 Dissipation Factor</td> <td>≤ 2 倍规定值 ≤ 200% of the specified value</td> </tr> </table>										电容量变化率 Capacitance Change	≤ ±20%初始测量值 (≤16V: ±25%初始测量值) ≤ ±20% of Initial measured value (≤16V: ±25% of the initial value)	漏电流值 Leakage	≤ 规定值 ≤ The specified value	损耗角正切值 Dissipation Factor	≤ 2 倍规定值 ≤ 200% of the specified value
电容量变化率 Capacitance Change	≤ ±20%初始测量值 (≤16V: ±25%初始测量值) ≤ ±20% of Initial measured value (≤16V: ±25% of the initial value)															
漏电流值 Leakage	≤ 规定值 ≤ The specified value															
损耗角正切值 Dissipation Factor	≤ 2 倍规定值 ≤ 200% of the specified value															
高温贮存 Shelf Life (105°C)	<p>试验时间: 1000 小时, 其他项目与耐久性相同。电压应用处理: 根据 JIS C5101-4.1 Test time : 1000hours ; other items are same as the endurance. Voltage application treatment : According to JIS C5101-4 4.1</p>															
额定纹波电流频率系数 Coefficient of Frequency for Rated Ripple Current	Frequency Rated Voltage	120Hz	1KHz	10KHz	100KHz											
	6.3~100V	0.50	0.75	1.00	1.00											

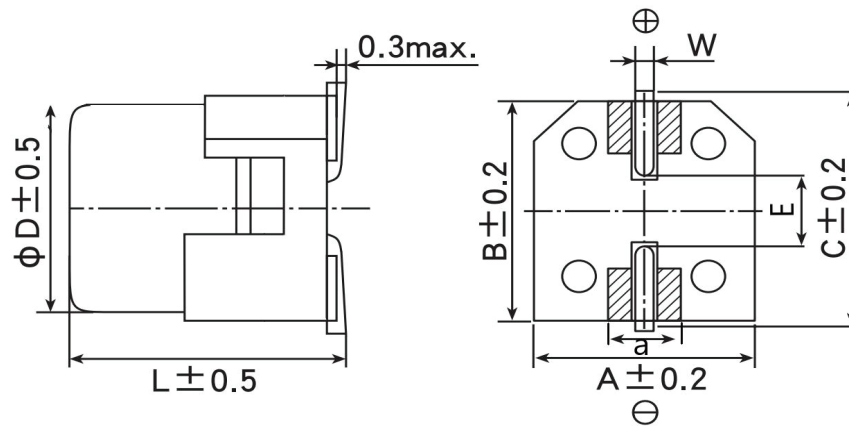
单位 Unit : mm

普通座板:



Size	4×5.4	5×5.4	6.3×5.4	6.3×7.7	8×6.2	8×8	8×10.2	10×10.2	10×12.5	12.5×13.5
A/B±0.2	4.3	5.3	6.6	6.6	8.3	8.3	8.3	10.3	10.3	13.0
D±0.5	4.0	5.0	6.3	6.3	8.0	8.0	8.0	10	10	12.5
E±0.2	1.0	1.3	2.2	2.2	3.1	3.1	3.1	4.5	4.5	5.2
L	5.4±0.3	5.4±0.3	5.4±0.3	7.7±0.3	6.2±0.3	8.0±0.3	10.2±0.5	10.2±0.5	12.5±0.5	13.5±0.5
C±0.2	5.0	6.0	7.2	7.2	9.0	9.0	9.0	11.0	11.0	13.8
W	0.5~0.9				0.8~1.1					1.1~1.4

抗振动座板:



Size	6.3×7.7	8×10.2	10×10.2	10×12.5	12.5×13.5	12.5×16	16×16.5	16×21.5	18×16.5	18×21.5
A	6.6	8.3	10.3	10.3	13.0	13.0	17	17	19	19
B	6.6	8.3	10.3	10.3	13.45	13.45	17	17	19	19
D	6.3	8.0	10	10	12.5	13.0	17	17	19	19
E±0.2	2.2	3.1	4.5	4.5	5.2	5.2	6.5	6.5	6.5	6.5
L	7.7	10.5	10.5	12.5	13.5	16	16.5	21.5	16.5	21.5
C	7.2	9.0	11.0	11.0	13.8	13.8	18	18	20	20
a	1.4	2.1	4.2	4.2	4.4	4.4	6.0	6.0	6.0	6.0
W	0.5~0.9	0.8~1.1			1.1~1.4					

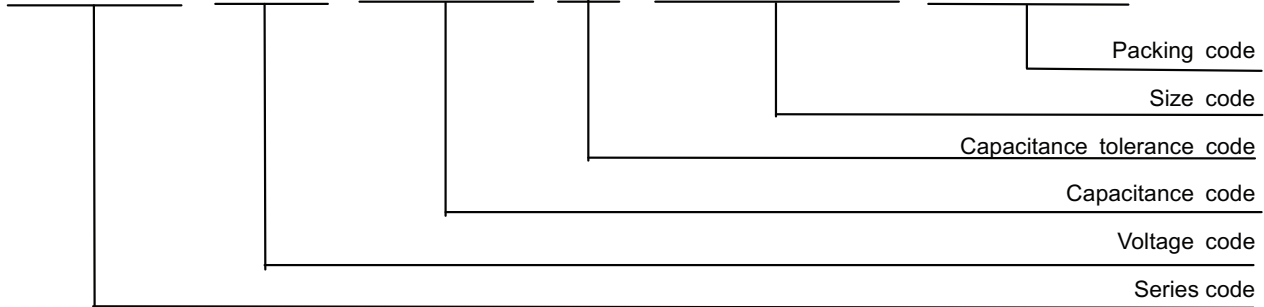
Standard sizes & Maximum permissible ripple current & impedance

WV Cap (μ F)	6.3V			10V			16V			25V			35V		
	Φ D×L (mm)	Z max (Ω)	I (mA)	Φ D×L (mm)	Z max (Ω)	I (mA)	Φ D×L (mm)	Z max (Ω)	I (mA)	Φ D×L (mm)	Z max (Ω)	I (mA)	Φ D×L (mm)	Z max (Ω)	I (mA)
4.7										4×5.4	2.2	80	4×5.4	2.2	80
10							4×5.4	2.2	80	4×5.4	2.2	80	5×5.4	1.2	150
22	4×5.4	2.2	80	4×5.4	2.2	80	5×5.4	1.2	150	6.3×5.4	0.58	230	6.3×5.4	0.58	230
33	5×5.4	1.2	150	5×5.4	1.2	150	6.3×5.4	0.58	230	6.3×5.4	0.58	230	6.3×5.4	0.58	230
47	5×5.4	1.2	150	6.3×5.4	0.58	230	5×5.4	1.2	150	6.3×5.4	0.58	230	6.3×5.4	0.58	230
							6.3×5.4	0.58	230	6.3×7.7	0.34	280	6.3×7.7	0.34	280
100	6.3×5.4	0.58	230	6.3×7.7	0.34	280	6.3×5.4	0.58	230	6.3×7.7	0.34	280	6.3×7.7	0.34	280
							6.3×7.7	0.34	280	8×6.2	0.34	280	8×10.2	0.17	450
150	6.3×5.4	0.58	230	6.3×7.7	0.34	280	6.3×7.7	0.34	280	8×10.2	0.17	450	8×10.2	0.17	450
220	6.3×5.4	0.58	243	6.3×7.7	0.34	280	6.3×7.7	0.34	384	8×8	0.30	405	8×10.2	0.17	587
	6.3×7.7	0.34	280				8×10.2	0.17	450	8×10.2	0.17	450	10×10.2	0.10	670
330	6.3×7.7	0.34	280	8×10.2	0.17	450	8×10.2	0.17	450	10×10.2	0.10	670	10×10.2	0.10	670
470	6.3×7.7	0.34	280	8×10.2	0.17	450	8×10.2	0.17	450	10×10.2	0.10	670	10×12.5	0.10	935
	8×10.2	0.17	450				10×10.2	0.10	670				12.5×13.5	0.06	1100
1000	8×10.2	0.17	450	10×10.2	0.10	670	10×10.2	0.10	670	12.5×13.5	0.06	1100			
	10×10.2	0.10	670				10×12.5	0.10	730						
1500	10×10.2	0.10	670	12.5×13.5	0.06	1100	12.5×13.5	0.06	1100						
2200	12.5×13.5	0.06	1100	12.5×13.5	0.06	1100									
2700	12.5×13.5	0.06	1100												

WV Cap (μ F)	50V			63V			80V			100V		
	Φ D×L (mm)	Z max (Ω)	I (mA)	Φ D×L (mm)	Z max (Ω)	I (mA)	Φ D×L (mm)	Z max (Ω)	I (mA)	Φ D×L (mm)	Z max (Ω)	I (mA)
1.0	4×5.4	2.9	60									
2.2	4×5.4	2.9	60									
3.3	4×5.4	2.9	60				5×5.4	5.0	25			
4.7	5×5.4	1.52	85	5×5.4	3.0	50	6.3×5.4	3.0	40			
10	6.3×5.4	0.88	165	6.3×5.4	1.5	80	6.3×7.7	2.4	60			
				6.3×7.7	1.2	120						
15										8×8	1.2	135
22	6.3×5.4	0.88	165	6.3×7.7	1.2	120	8×10.2	1.3	130	8×10.2	1.0	150
	6.3×7.7	0.68	185	8×6.2	1.2	120						
33	6.3×7.7	0.68	185	8×10.2	0.65	250	8×10.2	1.3	130	10×10.2	0.7	200
47	6.3×7.7	0.68	185	8×10.2	0.65	250	10×10.2	0.7	200	10×10.2	0.7	200
	8×10.2	0.34	300							10×12.5	0.7	220
68	8×10.2	0.34	342	8×10.2	0.65	250						
100	8×10.2	0.34	300	10×10.2	0.35	400	12.5×13.5	0.18	550			
	10×10.2	0.20	500	10×12.5	0.35	435						
220	10×10.2	0.20	670	12.5×13.5	0.16	600						
330	12.5×13.5	0.12	900									

I~额定纹波电流 Rated ripple current: (mA, 105°C, 100KHz) ; Z 阻抗值 Impedance: (Ω , 20°C, 100KHz)

PART NUMBER CONFIGURATION RULES:



Series code	Voltage (V)	Code	Capacitance (μF)	Code	Capacitance tolerance	Code	Size	Code	Packing	Code
SVZL	2.5	0E	0.1	0R1	±5%	J	4×5.4	0405	Paper reel	V1
SVT1	4	0G	0.22	R22	±10%	K	5×5.4	0505		
SVTD	6.3	0J	0.33	R33	±15%	Y	6.3×5.4	0605	Plastic reel	V2
SVLD	10	1A	0.47	R47	±20%	M	6.3×7.7	0607		
SVZ2	16	1C	0.68	R68	-10~-30%	Q	8×6.2	0806	Vacuum packaging	V3
SVZS	25	1E	1.0	010	Others	T	8×8	0808		
SVTG	35	1V	2..2	2R2			8×10.2	0810	Automotive Grade	V1C
SVLG	50	1H	3.3	3R3			10×10.2	1010		
SVKG	63	1J	4.7	4R7			10×12.5	1012	Anti-vibration	V1G
SVTK	80	1K	6.8	6R8			12.5×13.5	1213		
SVKZ	100	2A	10	100			12.5×16	1216	Automotive Grade	V2C
SVTL	160	2C	22	220			16×16.5	1616		
SVLL	180	2J	33	330			16×21.5	1621	Anti-vibration	V2G
	200	2D	47	470			18×16.5	1816		
	220	2P	68	680			18×21.5	1821		
	250	2E	100	101						
	315	2F	220	221						
	330	2U	330	331						
	350	2V	470	471						
	400	2G	680	681						
	420	2M	1000	102						
	450	2W	2200	222						
	500	2H	3300	332						
	550	2J	4700	472						
	600	2K	6800	682						
			10000	103						
			22000	223						
			33000	333						
			68000	683						