



SPECIFICATION FOR APPROVAL

File No.: Q/FRK 0.GS.E.C46-C07

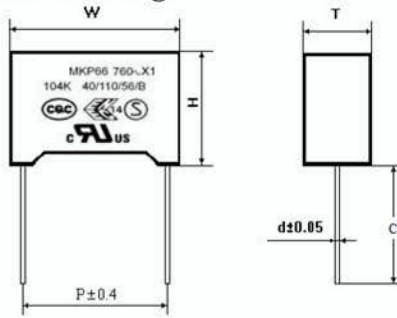
Product Name	Metallized Polypropylene Film Interference Suppression Capacitor (Class X1: 760Vac)
Product Type	MKP66
Type Code	C46
Product Code	
Customer	
Customer Code	
Issue Date	2012-10



95 E. Jefryn Blvd
Deer Park, NY 11729
www.surgecomponents.com
(631) 595-1818

Metallized polypropylene film interference suppression capacitor (Class X1, 760Vac)

■ **Outline Drawing**



W±0.4mm, H±0.4mm, T±0.4mm

■ **Features**

- Compact size
- Withstanding overvoltage stressing
- Excellent active and passive flame resistant abilities
- Widely used in across-the-line, interference suppression circuit, etc.

■ **Safety Approvals**

•	CQC	IEC 60384-14:2005, X1,760 Vac, 0.0010μF~2.2μF, 40/110/56/B Certificate No.: CQC08001026517
•	ENEC-SEMKO	EN 60384-14:2005, X1,760 Vac, 0.0010μF~2.2μF, 40/110/56/B Certificate No.: SE/0366-3A, Test Report No.: 916519
•	UL/CUL	UL60384-14:2009, CSA E60384-14:09, X1, 760Vac, 0.0010μF~2.2μF, 40/110/56/B Certificate No.: E186600, CCN: FOWX2/8
• CB TEST CERTIFICATE		IEC 60384-14:2005, X1, 760 Vac, 0.0010μF ~2.2μF , 40/110/56/B Certificate No.: SE-60407

■ **Specifications**

Class	Class X1		
Climatic Category / Passive Flammability Category	40/110/56/B		
Operating Temperature Range	-40°C ~ +110°C		
Rated Voltage (U _R)	760 Vac, 50/60Hz		
Maximum continuous DC voltage	1 500 Vdc		
Capacitance Range	0.0010μF~2.2μF		
Capacitance Tolerance	±10%(K), ±20%(M)		
Voltage Proof	Between Terminals:	4250 (Vdc) (2s)	
	Between Terminals To Case:	3020 (Vac) (1min)	
Insulation Resistance	R>15 000MΩ , C _R ≤0.33μF RC>5 000s, C _R >0.33μF (20°C, 500V ,1min)		
Dissipation Factor	0.0010μF<C _R ≤0.47μF	≤10×10 ⁻⁴ (1kHz,20°C)	≤20×10 ⁻⁴ (10kHz,20°C)
	0.47μF<C _R ≤1.0μF	≤20×10 ⁻⁴ (1kHz,20°C)	≤40×10 ⁻⁴ (10kHz,20°C)
	1.0μF<C _R	≤30×10 ⁻⁴ (1kHz,20°C)	-----

■ Part number system

The 18 digits part number is formed as follow:

1	2	3	4	5	6	7	8	9	10	11	12	13	14	15	16	17	18
C	4	6															

Digit 1 to 3 Series code

C46=MKP66

Digit 4 to 5 A.C. rated voltage

V2=760V

Digit 6 to 8 Rated capacitance value

 For example : 103=10×10³ pF= 0.01μF

Digit 9 Capacitance tolerance

K=±10%, M=±20%

Digit 10 Pitch

6=15.0mm 9=22.5mm

B=27.5mm F=37.5mm

Digit 11 Internal use

Digit 12 to 15 Lead form and packaging code

Digit 16 to 18 Internal use

Table1 Lead form and packaging code

Digit 12		Digit 13		Digit 14		Digit 15	
code	explanation	code	explanation	code	explanation	code	explanation
A	ammo-pack	6	F=15.0mm	0	straight	5	P3=25.4mm;H=18.5mm (For pitch=15mm) (Detail parameter refer to page 15)
C	straight lead "C" in the figure above	code	explanation			0	Length tolerance ±0.5mm Or standard length
		00	standard lead length (18mm~26mm)				
		45	lead length 4.5mm				
		35	lead length 3.5mm				
		32	lead length 3.2mm				

■ Dimensions(mm)

760Vac						
C _R (μF)	W ±0.4	H ±0.4	T ±0.4	P ±0.4	d	Part number
0.0010	17.5	9.5	5.0	15.0	0.6	C46V2102-6S*****
0.0012	17.5	9.5	5.0	15.0	0.6	C46V2122-6S*****
0.0015	17.5	9.5	5.0	15.0	0.6	C46V2152-6S*****
0.0018	17.5	9.5	5.0	15.0	0.6	C46V2182-6S*****
0.0022	17.5	9.5	5.0	15.0	0.6	C46V2222-6S*****
0.0027	17.5	9.5	5.0	15.0	0.6	C46V2272-6S*****
0.0033	17.5	11.0	5.0	15.0	0.6	C46V2332-6S*****
0.0047	17.5	11.0	5.0	15.0	0.6	C46V2472-6S*****
0.0056	17.5	11.0	5.0	15.0	0.6	C46V2562-6S*****
0.0068	17.5	11.0	5.0	15.0	0.6	C46V2682-6S*****
0.0082	17.5	11.0	5.0	15.0	0.6	C46V2822-6S*****
0.010	17.5	11.0	5.0	15.0	0.6	C46V2103-6S*****
0.012	17.5	12.0	6.0	15.0	0.6	C46V2123-6S*****
0.015	17.5	12.0	6.0	15.0	0.6	C46V2153-6S*****
0.018	17.5	12.0	7.0	15.0	0.6	C46V2183-6S*****
0.022	17.5	13.5	7.5	15.0	0.6	C46V2223-6S*****
0.027	17.5	14.0	8.0	15.0	0.6	C46V2273-6S*****
0.033	17.5	14.5	8.5	15.0	0.6	C46V2333-6S*****
0.039	17.5	16.0	10.0	15.0	0.8	C46V2393-6S*****
0.047M	17.5	16.0	10.0	15.0	0.8	C46V2473M6S*****
0.047K	17.5	19.0	11.0	15.0	0.8	C46V2473K6S*****
0.056	17.5	19.0	11.0	15.0	0.8	C46V2563-6S*****
0.068M	17.5	19.0	11.0	15.0	0.8	C46V2683M6S*****
0.010	26.5	15.0	6.0	22.5	0.8	C46V2103-90*****
0.012	26.5	15.0	6.0	22.5	0.8	C46V2123-90*****
0.015	26.5	15.0	6.0	22.5	0.8	C46V2153-90*****
0.018	26.5	15.0	6.0	22.5	0.8	C46V2183-90*****
0.022	26.5	15.0	6.0	22.5	0.8	C46V2223-90*****
0.027	26.5	15.0	6.0	22.5	0.8	C46V2273-90*****
0.033	26.5	15.0	6.0	22.5	0.8	C46V2333-9S*****
0.039	26.5	15.0	6.0	22.5	0.8	C46V2393-9S*****
0.047	26.5	15.0	6.0	22.5	0.8	C46V2473-9S*****
0.056	26.5	16.0	7.0	22.5	0.8	C46V2563-9S*****
0.068	26.5	16.0	7.0	22.5	0.8	C46V2683-9S*****
0.082	26.5	17.0	8.5	22.5	0.8	C46V2823-9S*****
0.10M	26.5	17.0	8.5	22.5	0.8	C46V2104M9S*****
0.10K	26.5	18.5	10.0	22.5	0.8	C46V2104K9A*****
0.12	26.5	18.5	10.0	22.5	0.8	C46V2124-9S*****
0.15	26.5	20.0	11.0	22.5	0.8	C46V2154-9S*****
0.18	26.5	22.0	12.0	22.5	0.8	C46V2184-9S*****
0.22M	26.5	22.0	12.0	22.5	0.8	C46V2224M9S*****
0.22K	26.5	23.0	13.5	22.5	0.8	C46V2224K9S*****
0.27	26.5	24.5	15.5	22.5	0.8	C46V2274-9S*****
0.33M	26.5	29.5	14.5	22.5	0.8	C46V2334M9S*****

760Vac						
C _R (μF)	W ±0.4	H ±0.4	T ±0.4	P ±0.4	d	Part number
0.068	32.0	18.0	9.0	27.5	0.8	C46V2683-B0*****
0.082	32.0	18.0	9.0	27.5	0.8	C46V2823-B0*****
0.10	32.0	18.0	9.0	27.5	0.8	C46V2104-BS*****
0.10	32.0	12.0	18.0	27.5	0.8	C46V2104-BC*****
0.12	32.0	18.0	9.0	27.5	0.8	C46V2124-BS*****
0.15M	32.0	12.0	18.0	27.5	0.8	C46V2154MBC*****
0.15K	32.0	12.0	22.0	27.5	0.8	C46V2154KBC*****
0.15	32.0	20.0	11.0	27.5	0.8	C46V2154-BS*****
0.18	32.0	20.0	11.0	27.5	0.8	C46V2184-BS*****
0.22	32.0	22.0	13.0	27.5	0.8	C46V2224-BS*****
0.22M	32.0	12.0	22.0	27.5	0.8	C46V2224MBC*****
0.22K	32.0	16.0	22.0	27.5	0.8	C46V2224KBC*****
0.27	32.0	22.0	13.0	27.5	0.8	C46V2274-BS*****
0.33	32.0	24.5	15.0	27.5	0.8	C46V2334-BS*****
0.33	32.0	28.0	14.0	27.5	0.8	C46V2334-BA*****
0.33	32.0	16.0	27.5	27.5	0.8	C46V2334-BC*****
0.39	32.0	28.0	17.0	27.5	0.8	C46V2394-BA*****
0.39	32.0	30.0	16.0	27.5	0.8	C46V2394-BS*****
0.47M	32.0	28.0	17.0	27.5	0.8	C46V2474MBA*****
0.47K	32.0	29.0	19.0	27.5	0.8	C46V2474KBA*****
0.47	32.0	30.0	16.0	27.5	0.8	C46V2474-BS*****
0.47	32.0	18.5	31.0	27.5	0.8	C46V2474-BC*****
0.56	32.0	33.0	18.0	27.5	0.8	C46V2564-BS*****
0.68	32.0	37.0	22.0	27.5	0.8	C46V2684-BS*****
0.33	41.0	26.0	12.0	37.5	1.0	C46V2334-FS*****
0.33	41.0	24.0	13.0	37.5	1.0	C46V2334-FA*****
0.33	42.0	15.0	24.0	37.5	1.0	C46V2334-FC*****
0.39	41.0	26.0	12.0	37.5	1.0	C46V2394-FS*****
0.39	41.0	24.0	13.0	37.5	1.0	C46V2394-FA*****
0.47M	41.0	15.0	24.0	37.5	1.0	C46V2474MFC*****
0.47	41.0	26.0	15.0	37.5	1.0	C46V2474-FS*****
0.47	42.0	28.0	14.0	37.5	1.0	C46V2474-FA*****
0.56	41.0	30.0	16.0	37.5	1.0	C46V2564-FS*****
0.68M	42.0	19.0	24.0	37.5	1.0	C46V2684MFC*****
0.68K	41.0	20.0	26.0	37.5	1.0	C46V2684KFC*****
0.68	41.0	30.0	16.0	37.5	1.0	C46V2684-FS*****
0.82	41.0	33.5	18.5	37.5	1.0	C46V2824-FS*****
1.0M	41.0	33.5	18.5	37.5	1.0	C46V2105MFS*****
1.0K	41.0	37.0	22.0	37.5	1.0	C46V2105KFS*****
1.0	42.0	24.0	32.0	37.5	1.0	C46V2105-FC*****
1.2	41.0	37.0	22.0	37.5	1.0	C46V2125-FS*****
1.5	41.0	41.0	26.0	37.5	1.0	C46V2155-FS*****
1.5	41.5	37.5	27.5	37.5	1.0	C46V2155-FA*****
1.8M	41.0	41.0	26.0	37.5	1.0	C46V2185MFS*****
1.8M	41.5	37.5	27.5	37.5	1.0	C46V2185MFA*****
1.8K	41.0	43.0	28.0	37.5	1.0	C46V2185KFS*****
2.2M	42.0	45.0	30.0	37.5	1.0	C46V2225MFS*****

- Note: 1. “-”=capacitance tolerance code, M=±20%,K=±10%
 2. “*****”=lead form and packaging code (refer to table 1)

Maximum permissible voltage change per unit of time

Rated Voltage (Vac)	dV/dt(V/us) at 1075 Vdc			
	P=15mm	P=22.5mm	P=27.5mm	P=37.5mm
760	600	500	400	300

Note: 1. Rated voltage pulse slope (dV/dt)_R at rated voltage.

2. If the working voltage(U) is lower than the rated voltage(U_R),the capacitor can be worked at a higher dV/dt. In this case, the maximum allowed dV/dt is obtain by multiplying the right value with U_R/U.

Test Method And Performance

No.	Item	Performance	Test Method (GB/T14472, IEC 60384-14)
1	4.5 Solderability	Good quality of tinning	Solder temperature: 245°C ±5°C Immersion time: 2.0s±0.5s
2	4.3 Terminal strength	There shall be no visible damage	Tense: 0.50<d≤0.80, 10N 0.80<d≤1.25, 20N Bend: 0.50<d≤0.80, 5N 0.80<d≤1.25, 10N The terminals shall be bent 2 times in each direction
3	4.4 Resistance to solder heat	There shall be no visible damage ΔC/C ≤±5%(relative to the initial value)	Solder temperature:260°C±5°C Immersion time: 10s±1s
4	4.20 Solvent resistance of the marking	The marking shall be legible	Solvent: Industrial isopropanol. Solvent temperature:23°C±5°C Dipping time: 5min±0.5min Condition: scrub Scrub material: absorbent cotton Reverting time: No
5	4.2 Initial measurement	Capacitance, Tgδ	
	4.6 Rapid change of temperature	There shall be no evidence of deterioration.	θ _A =-40°C, θ _B =+110°C 5 cycles Duration: t=30min
	4.7 Vibration	There shall be no evidence of deterioration.	Amplitude 0.75mm or acceleration 98m/s ² (whichever is the smaller severity), f: 10Hz to 500Hz. Three directions, 2h for each direction,total 6h.
	4.8 Bump	There shall be no evidence of deterioration.	4 000 times, Acceleration: 400m/s ² , Pulse duration, 6ms
	Final measurement	There shall be no visible damage ΔC/C ≤±5%(relative to the initial value)	
6	4.11 Climate sequence	Initial measurement	
		Dry heat	+110°C, 16h
		Damp heat, Cyclic	Test Db, Severity: b, the first cycle
		Cold	-40°C, 2h
		Damp heat, cyclic other	Test Db, Severity b, the other cycles
	Final measurement	There shall be no visible damage, legible marking ΔC/C ≤±5%(relative to the initial value) Increase of tgδ: C _R ≤1μF: ≤0.008 (10kHz) C _R >1μF: ≤0.005 (1kHz) Dielectric strength : there shall be no permanent breakdown or flashover I.R.: ≥ 50% of the rated value	

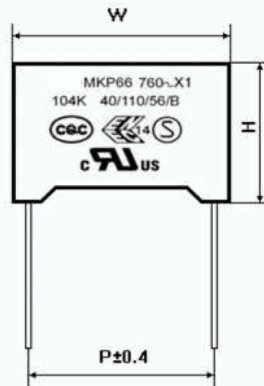
No.	Item	Performance	Test Method (GB/T14472, IEC 60384-14)
7	4.12 Damp heat steady state	There shall be no visible damage, legible marking $\Delta C/C \leq \pm 5\%$ (relative to the initial value) Increase of $\text{tg}\delta$: $C_R \leq 1\mu\text{F}$: ≤ 0.008 (10kHz) $C_R > 1\mu\text{F}$: ≤ 0.005 (1kHz) Dielectric strength : there shall be no permanent breakdown or flashover I.R.: $\geq 50\%$ of the rated value	Temperature: $40^\circ\text{C} \pm 2^\circ\text{C}$ Humidity: $93 \pm 3\%$ RH Duration: 56 days
8	4.13 Impulse voltage	There are three or more waveforms which indicate that no self-heating breakdown have occurred when it is monitored by the monitor	Each individual capacitor shall be subjected to 24 impulses of the same polarity (when any three successive impulses are shown by the monitor to have a wave form indicating that no self-healing breakdown have taken place the impulses can be stopped), the time between impulses shall not be less than 10s, and the peak value of the voltage impulse: 4.0kV (suitable for $C_R \leq 1\mu\text{F}$; When $C_R > 1\mu\text{F}$, the capacitor can endure pulse voltage value is $4.0/\sqrt{C_R}$ kV)
9	4.14 Endurance	There shall be no visible damage, legible marking $\Delta C/C \leq \pm 10\%$ (relative to the initial value) Increase of $\text{tg}\delta$: $C_R \leq 1\mu\text{F}$: ≤ 0.008 (10kHz) $C_R > 1\mu\text{F}$: ≤ 0.005 (1kHz) Dielectric strength : There shall be no breakdown or flashover I.R. : $\geq 50\%$ of the rated value	$+110^\circ\text{C}$, $1.25U_R$ V.a.c., 1 000h The voltage shall be subjected to 1000Vrms for 0.1s every one hour during test.
10	4.15 Charging and discharging	$\Delta C/C \leq \pm 10\%$ (relative to the initial value) Increase of $\text{tg}\delta$: $C_R \leq 1\mu\text{F}$: ≤ 0.008 (10kHz) $C_R > 1\mu\text{F}$: ≤ 0.005 (1kHz) I.R.: $\geq 50\%$ of the rated value	Times: 10 000 Duration of charging: 0.5s Duration of discharging: 0.5s Charging voltage: $\sqrt{2}U_R$ V.d.c. Charging resistance: $220/C_R(\Omega)$ or the current $\leq 1.0\text{A}$ (whichever is the minor) Discharging resistance: $R = \frac{\sqrt{2}U_R}{C_R \times \frac{dU}{dt}} (\Omega)$ C_R : Capacitance (μF)
11	4.17 Passive flammability	The flaming time of each capacitor shall not go beyond 10s after it is taken apart from the flame. Drop of each capacitor caused by flame shall not fire the tissue below.	Ref.item 4.17 Needle flame test The category of flammability: B Expose time: 1 time Capacitor Volume Exposing time $250 < V(\text{mm}^3) \leq 500$ 20s $500 < V(\text{mm}^3) \leq 1750$ 30s $V(\text{mm}^3) > 1750$ 60s

No.	Item	Performance	Test Method (GB/T14472, IEC 60384-14)
12	4.18 Active flammability	The cheese cloth around the capacitor shall not burn with a flame.	The specimens shall be individually wrapped in at least 1, but not more than 2, complete layers of cheesecloth, the cheesecloth shall be untreated pure cotton cloth. Each sample shall be subjected to 20 discharges, the interval between successive discharges shall be 5s. $U_i = 4.0kV_0^{+7}\%$ U_R be applied and be maintained for 120_0^{+10} s after the last discharge.





■ Quality ensuring test (before shipment):

Inspection item (each batch)	Inspection level (GB/T 2828.1, ISO2859-1)	
	IL	AQL
Appearance inspection	II	1.5%
Dimensions		
Capacitance	II	0.25%
Tangent of the loss angle		
Dielectric strength		
Insulation resistance		
Solderability	S-3	2.5%

■ Marking

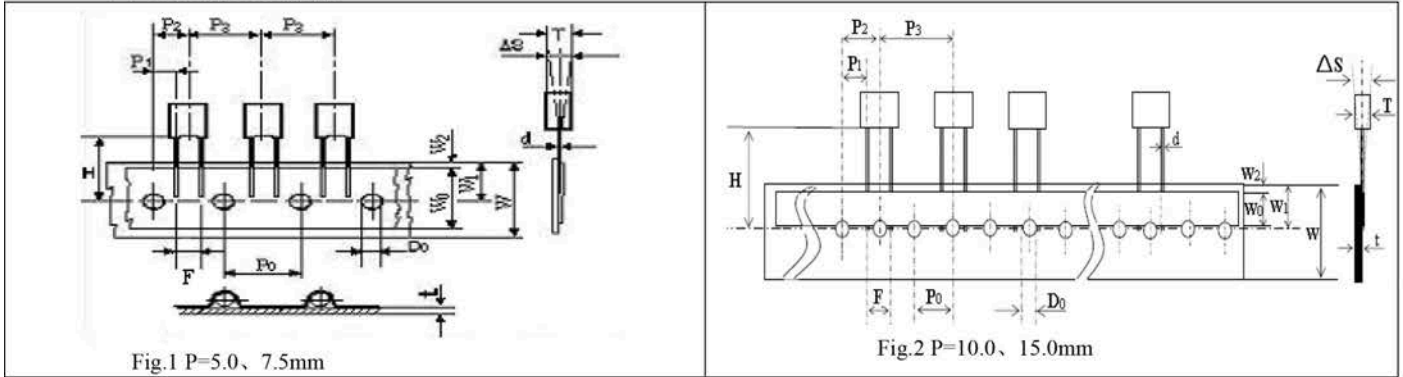


Marking Introduction:

Sign	explain	Sign	explain
	Brand	40/110/56/B	Climate category / Passive Flammability Class
MKP66	Type		CQC Approval
760~	Rated voltage		ENEC-SEMKO Approval
X1	Class		UL&CUL Approval
104K	Rated capacitance and tolerance		

■ Taping specification for box-type capacitors

▲ Outline Drawing



▲ Taping Dimensions(mm)

Technology index title	Code	Dimensions				Tolerance
		P=5.0	P=7.5	P=10.0	P=15.0	
Taping type	—	Fig 1	Fig 1	Fig2	Fig 2	—
Part number Digit12-15	Ammo-pack	A201	A301	A405	A605	
Taping pitch	P ₃	12.7	12.7	25.4	25.4	±1.0
Feed hole pitch	P ₀	12.7	12.7	12.7	12.7	±0.2
Center of wire	P ₁	3.85	2.6	7.7	5.2	±0.7
Center of body	P ₂	6.35	6.35	12.7	12.7	±1.3
Pitch of taping wire	F**	5.0	7.5	10.0	15.0	+0.6 -0.1
Component alignment	ΔS	0	0	0	0	±2.0
Height of component from tape center	H***	18.5	18.5	18.5	18.5	±0.5
Carrier tape width	W	18.0	18.0	18.0	18.0	+1.0 -0.5
Hold down tape width	W ₀	6min	10min	10min	10min	—
Hole position	W ₁	9.0	9.0	9.0	9.0	±0.5
Hold down tape sition	W ₂	3max	3max	3max	3max	—
Feed hole dia.	D ₀	4.0	4.0	4.0	4.0	±0.2
Tape thickness	t	0.7	0.7	0.7	0.9	±0.2

▲ Packing Quantity

Pitch (mm)	Box thickness T(mm)	Ammo-pack (pcs/box)	
		Domestic	Export
5.0	2.5	2500	2 000
	3.5	1 700	1 500
	4.5	1 400	1 300
	5.0	1 200	1 000
7.5	6.0	1 000	800
	3.5	1 700	1 500
	4.0	1 500	1 300
	5.0	1 200	1 000
10.0/ 15.0	6.0	1 000	800
	4.0	750	650
	5.0	600	500
15.0	6.0	500	450
	7.5	400	350
	8.5	350	300
	10.0	300	250
	11.0	250	200

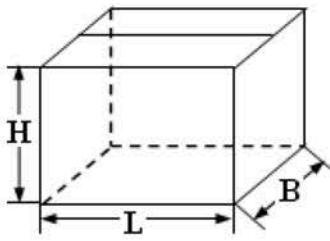
Note: * P₀=15mm is also available;

**F can be other lead spacing;

***H=16.5mm is available;

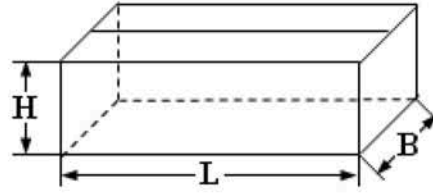
■ Packing box sizes(mm)

1. Out packing box for bulk



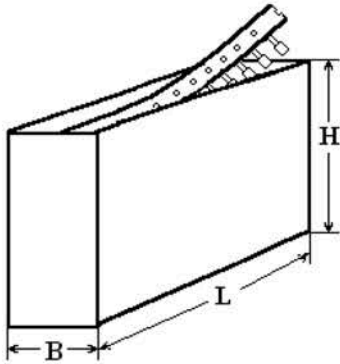
L:375±5
B:375±5
H:265±5

2. Inner packing box for bulk



L:355±3
B:175±3
H:118±3

3. Box sizes for Ammo-pack



L:330±3
B:48±3
H:260±3