

FEATURES

- ※Miniature 3.3x4.5mm side push type
- ※High solder strength
- ※Sharp click feeling

APPLICATION

- ※Smart phone
- ※Tablet
- ※Portable personal audio

SPECIFICATION

Contact Rating	50mA, 12V DC
Contact Resistance	500mΩ max.
Insulation Resistance	100MΩ min. 100V DC
Dielectric Strength	250V AC/1 minute
Operating Force	160±50gf/250±50gf
Travel	0.2mm
Operating Life	100,000 cycles
Operating Temp.	-40°C ~ +85°C
Storage Temp.	-40°C ~ +85°C

HOW TO ORDER

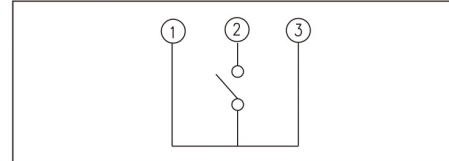
STAF □ - 1 □ WQR

- =Cover Without Post
- G=Cover With Post
- G1=Cover With Post & Ground Pin

2=160gf
3=250gf

- Package: Tape & Reel
- Halogen Free
- Stem Color: W=White

CIRCUIT

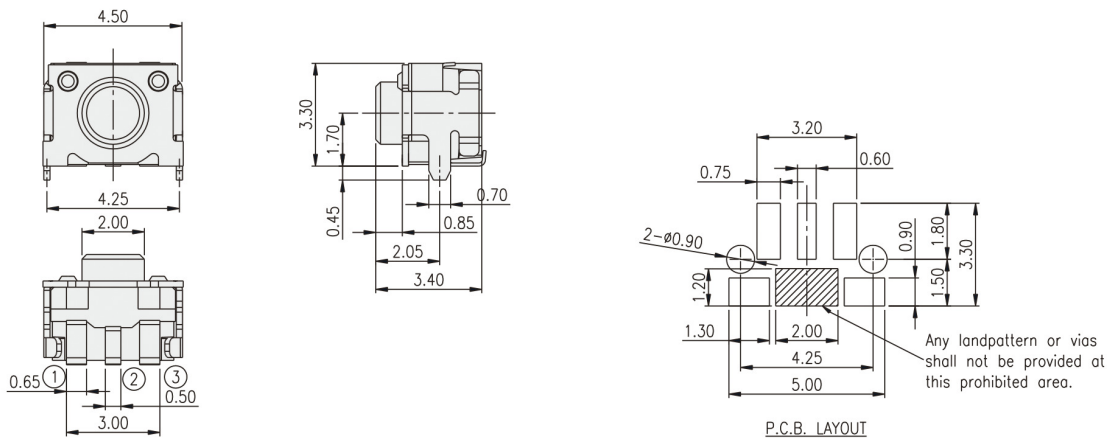


PACKAGE

<Tape & Reel>
1800 pcs

TACT SWITCH

STAFG



STAFG1

